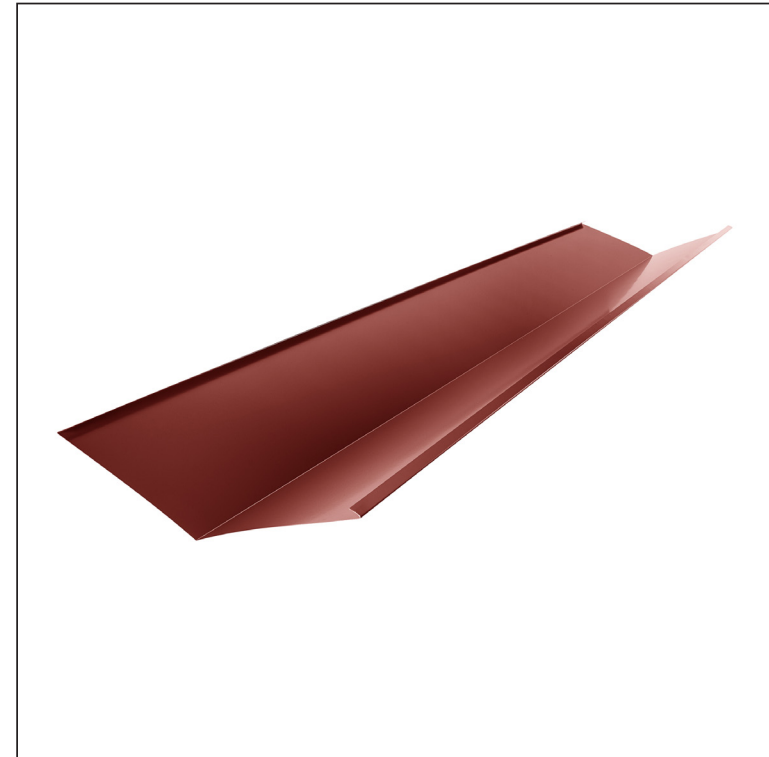
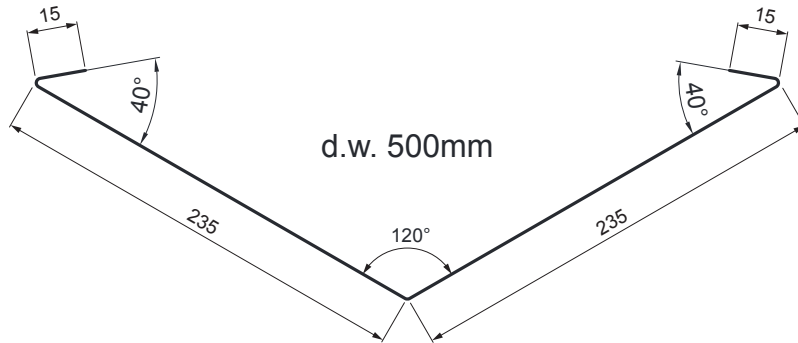


TECHNICAL SHEET

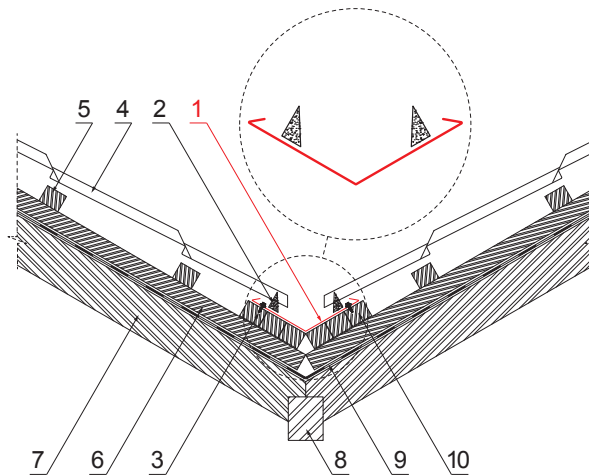
VALLEY GUTTER

UNI-PUZL



DETAIL:

1. valley gutter
2. roof valley sealing wedge
3. farmer screw 4,8x20
4. metal roofing
5. roof battens
6. battens
7. rafter
8. roof valley rafter
9. foil/insulating waterproofing
10. valley formwork



A sealing strip is glued to the fixed roof valley. It is covered with roof covering. The position of the sealing strip should be such that it is not affected by sunlight (it must be sufficiently covered by roof covering). The strip prevents water from entering under the covering.

Dimensions	
Nominal size [mm]	Length [m]
500	2,0

OC Galvanized steel prepainted – Steel red – RAL 3009

INDEX	CHANGE	DATE	SIGNATURE	KJG QUALITY®	Scan code for 3D model
MATERIAL BRAND			W.C.	WEIGHT kg	SCALE
SIZE, SEMI-FINISHED PRODUCTS				STN STANDARD	SORTING NUMBER
AUXILIARY EQUIPMENT				NOTE	POSITION NUMBER
ELABORATED BY Ing. Kluska M.					
TESTED BY		TECHNOLOGIST		OLD DRAWING	DRAWING NUMBER
NAME Valley gutter				Number of sheets	UNI-PUZL Sheet

Created: 04.06.2026 04:27:38

Technical changes reserved