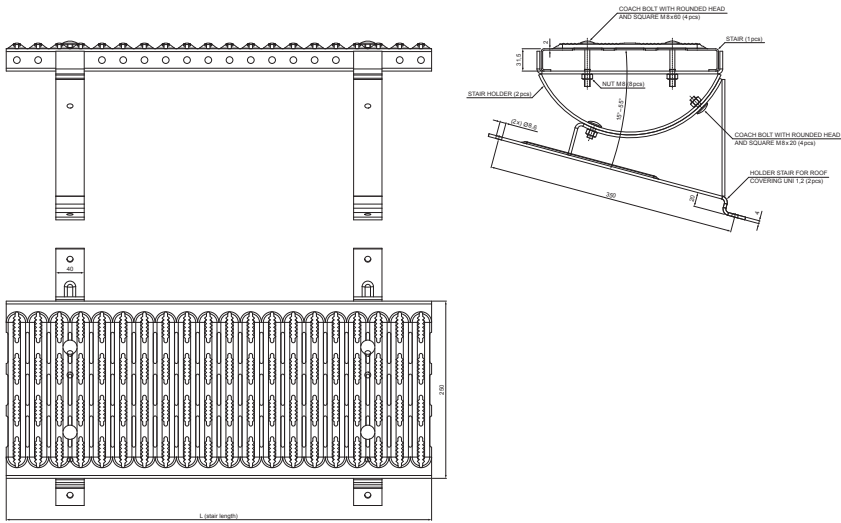


TECHNICAL SHEET

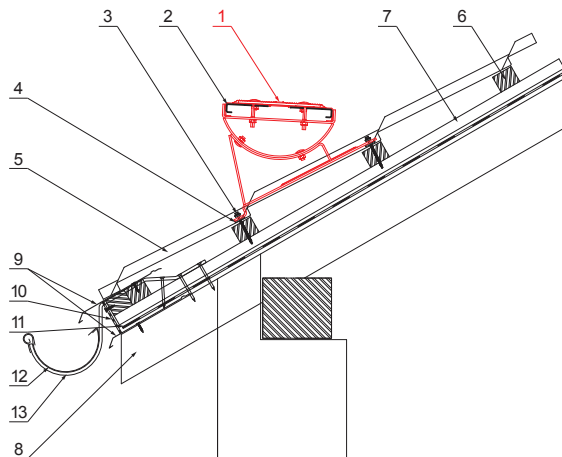
WALKWAY FOR UNI METAL ROOFING

W-UNI DACH






DETAIL:

- 1. walkway for uni metal roofing
- 2. connector for roof walkways
- 3. farmer screw 4,8x60
- 4. EPDM gasket 25x40x3
- 5. metal roofing
- 6. roof battens
- 7. batten
- 8. rafter
- 9. drip edge
- 10. protective ventilation belt
- 11. foil
- 12. gutter half-round
- 13. hook



B Color : Aluminium prepainted – Pure white – RAL 9010
Material: Galvanized steel – Natur

INDEX	CHANGE	DATE	SIGNATURE	 	
MATERIAL BRAND			W.C.	WEIGHT kg	SCALE
SIZE, SEMI-FINISHED PRODUCTS					
AUXILIARY EQUIPMENT				STN STANDARD	SORTING NUMBER
ELABORATED BY Ing. Kluska M.				NOTE	POSITION NUMBER
TESTED BY					
TECHNOLOGIST		TECHNOLOGIST		OLD DRAWING	DRAWING NUMBER
NAME			W-UNI DACH		
Walkway for UNI metal roofing			Number of sheets		Sheet 

Created: 04.06.2026 04:18:00

Technical changes reserved

Dimensions [mm]	
Nominal dimension	L
600	600