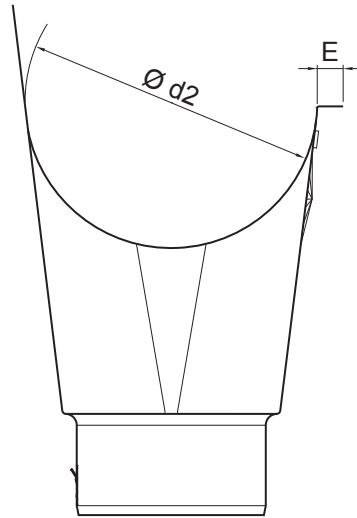
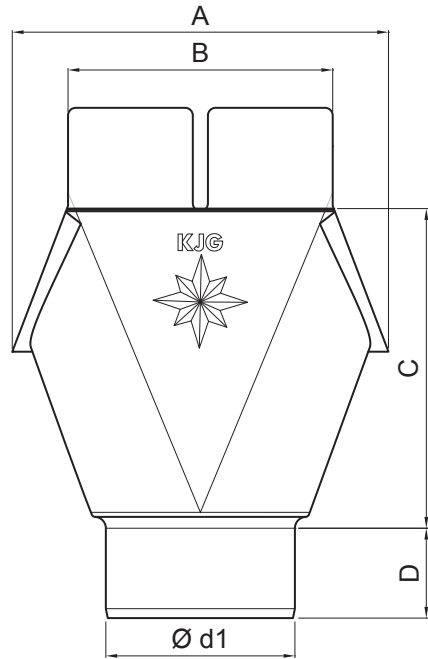


# TECHNICAL SHEET OUTLET

# P-PKL



Dimensions [mm]

| Nominal size | Ø d1 | Ø d2 | A   | B   | C      | D  | E  |
|--------------|------|------|-----|-----|--------|----|----|
| 200/60       | 60   | 80   | 115 | 80  | 99,5   | 30 | 12 |
| 250/60       | 60   | 105  | 140 | 100 | 127,5  | 30 | 12 |
| 250/80       | 80   | 105  | 140 | 120 | 117,5  | 40 | 12 |
| 280/80       | 80   | 127  | 165 | 120 | 143,5  | 40 | 12 |
| 280/100      | 100  | 127  | 165 | 120 | 142,5  | 45 | 14 |
| 333/80       | 80   | 153  | 185 | 140 | 176,5  | 40 | 14 |
| 333/100      | 100  | 153  | 185 | 140 | 170,0  | 45 | 14 |
| 333/120      | 120  | 153  | 185 | 140 | 171,50 | 50 | 14 |
| 400/100      | 100  | 192  | 210 | 160 | 205,0  | 45 | 14 |
| 400/120      | 120  | 192  | 210 | 160 | 200,4  | 51 | 14 |
| 400/150      | 150  | 192  | 240 | 168 | 205,0  | 45 | 14 |

**TM** Galvanized steel prepainted – Testa di Moro – RAL 8028

|                              |        |      |              |                        |                        |  |
|------------------------------|--------|------|--------------|------------------------|------------------------|--|
| INDEX                        | CHANGE | DATE | SIGNATURE    | <b>KJG</b><br>QUALITY® | Scan code for 3D model |  |
|                              |        |      |              |                        |                        |  |
| MATERIAL BRAND               |        |      | W.C.         | WEIGHT kg              | SCALE                  |  |
| SIZE, SEMI-FINISHED PRODUCTS |        |      | STN STANDARD |                        | SORTING NUMBER         |  |
| AUXILIARY EQUIPMENT          |        |      | NOTE         |                        | POSITION NUMBER        |  |
| ELABORATED BY Ing. Kluska M. |        |      | OLD DRAWING  |                        | DRAWING NUMBER         |  |
| TESTED BY                    |        |      | NAME         |                        | Number of sheets       |  |
| TECHNOLOGIST                 |        |      | TECHNOLOGIST |                        | P-PKL Sheet            |  |
| NAME                         |        |      | Outlet       |                        | Sheet                  |  |

Created: 06.06.2026 04:39:37

Technical changes reserved