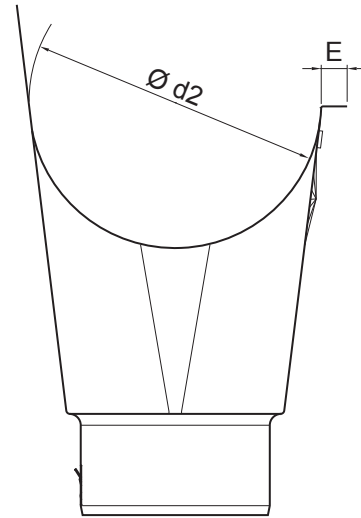
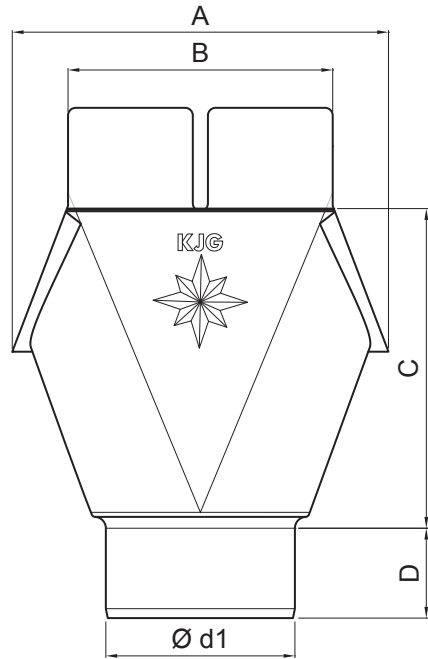


TECHNICAL SHEET OUTLET

P-PKL



Dimensions [mm]

| Nominal size | Ø d1 | Ø d2 | A | B | C | D | E |
|--------------|------|------|-----|-----|--------|----|----|
| 200/60 | 60 | 80 | 115 | 80 | 99,5 | 30 | 12 |
| 250/60 | 60 | 105 | 140 | 100 | 127,5 | 30 | 12 |
| 250/80 | 80 | 105 | 140 | 120 | 117,5 | 40 | 12 |
| 280/80 | 80 | 127 | 165 | 120 | 143,5 | 40 | 12 |
| 280/100 | 100 | 127 | 165 | 120 | 142,5 | 45 | 14 |
| 333/80 | 80 | 153 | 185 | 140 | 176,5 | 40 | 14 |
| 333/100 | 100 | 153 | 185 | 140 | 170,0 | 45 | 14 |
| 333/120 | 120 | 153 | 185 | 140 | 171,50 | 50 | 14 |
| 400/100 | 100 | 192 | 210 | 160 | 205,0 | 45 | 14 |
| 400/120 | 120 | 192 | 210 | 160 | 200,4 | 51 | 14 |
| 400/150 | 150 | 192 | 240 | 168 | 205,0 | 45 | 14 |

SB Galvanized steel prepainted – Grey white – RAL 9002

| | | | | | | |
|------------------------------|--------|------|--------------|------------------------|------------------------|--|
| INDEX | CHANGE | DATE | SIGNATURE | KJG QUALITY® | Scan code for 3D model | |
| | | | | | | |
| MATERIAL BRAND | | | W.C. | WEIGHT kg | SCALE | |
| SIZE, SEMI-FINISHED PRODUCTS | | | STN STANDARD | | SORTING NUMBER | |
| AUXILIARY EQUIPMENT | | | NOTE | | POSITION NUMBER | |
| ELABORATED BY Ing. Kluska M. | | | OLD DRAWING | | DRAWING NUMBER | |
| TESTED BY | | | NAME | | Number of sheets | |
| TECHNOLOGIST | | | Technologist | | P-PKL Sheet | |
| NAME | | | Outlet | | Sheet | |

Created: 07.06.2026 14:06:41

Technical changes reserved