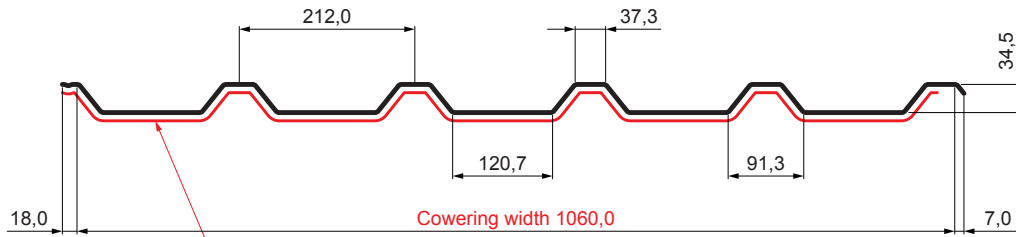
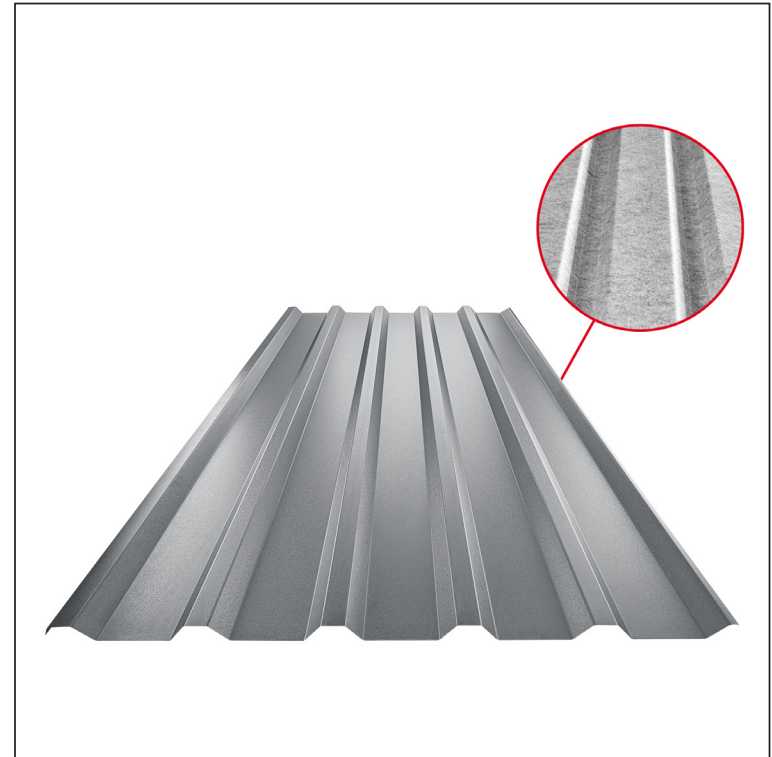


TECHNICAL SHEET

TRAPEZOIDAL SHEET ROOF TR 35A SQ (sound – aqua) TR-35A SQ



SQ = ANTI-CONDENSING AND ANTI-NOISE FELT th. 3–4 mm
 info: SQ (sound, aqua)



PSM Galvanized steel prepainted MATT – Dusty grey MATT – RAL 7037

Technical parameters [mm]	
Covering width	1060,0
Total width	1085,0
Profile height	34,5
Metal sheet thickness	0,50
Roof covering length	max. 8000,0

INDEX	CHANGE	DATE	SIGNATURE			
MATERIAL BRAND			W.C.	WEIGHT kg	SCALE	
SIZE, SEMI-FINISHED PRODUCTS			STN STANDARD		SORTING NUMBER	
AUXILIARY EQUIPMENT			NOTE		POSITION NUMBER	
ELABORATED BY Ing. Kluska M.			OLD DRAWING		DRAWING NUMBER	
TESTED BY			TECHNOLOGIST		DRAWING NUMBER	
NAME			Trapezoidal sheet roof TR 35A SQ (sound – aqua)		Number of sheets	TR-35A SQ Sheet

Created: 06.06.2026 06:11:51

Technical changes reserved