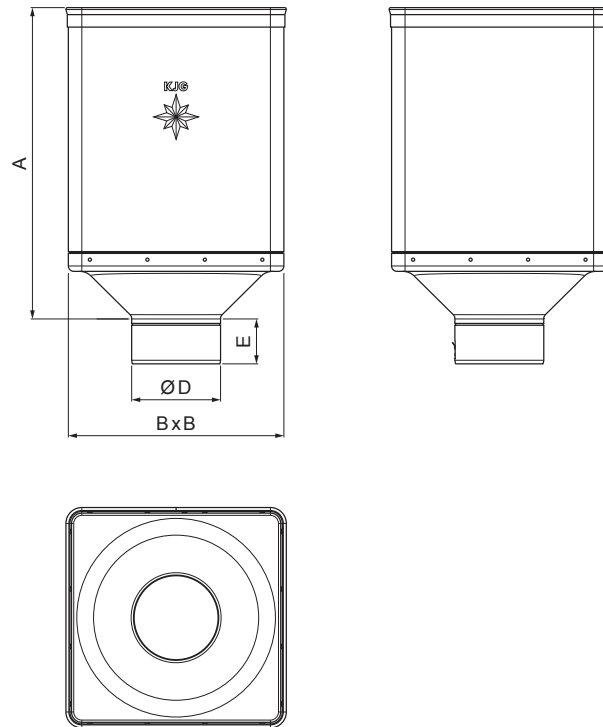





# TECHNICAL SHEET HOPPER DESIGN

# P-PKLZ DE



**BH** Galvanized steel pre-painted – White aluminum – RAL 9006

INDEX	CHANGE	DATE	SIGNATURE		
MATERIAL BRAND			W.C.	WEIGHT kg	SCALE
SIZE, SEMI-FINISHED PRODUCTS				STN STANDARD	SORTING NUMBER
AUXILIARY EQUIPMENT				NOTE	POSITION NUMBER
ELABORATED BY Ing. Kluska M.				OLD DRAWING	DRAWING NUMBER
TESTED BY					
TECHNOLOGIST		TECHNOLOGIST			
NAME Hopper DESIGN				Number of sheets	P-PKLZ DE Sheet 

Created: 05.06.2026 20:36:24

Technical changes reserved

Dimensions [mm]				
Nominal size	A	B	D	E
80	340	240	79	44
100	336	240	99	50
120	333	240	119	60