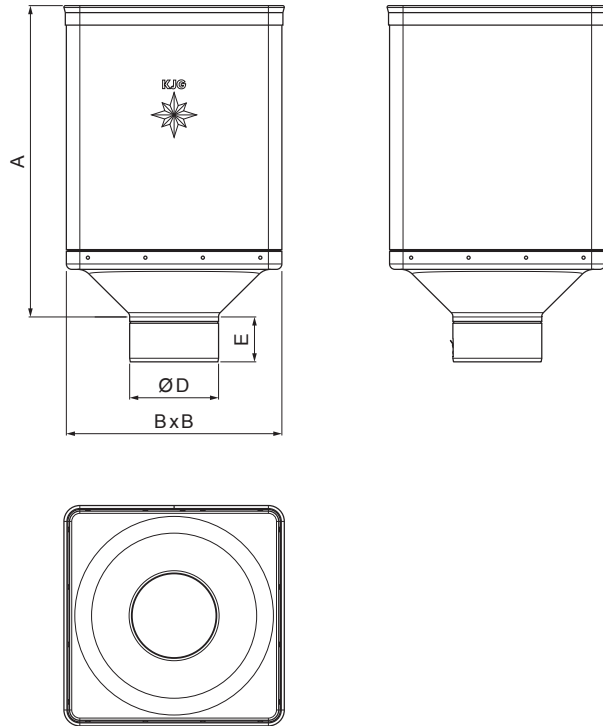





TECHNICAL SHEET HOPPER DESIGN

P-PKLZ DE



PS Galvanized steel prepainted – Dusty grey – RAL 7037

| | | | | | | |
|------------------------------|--|--|------|------------------|---|---|
| INDEX CHANGE | | | DATE | SIGNATURE |  |  |
| | | | | | | |
| MATERIAL BRAND | | | | W.C. | WEIGHT kg | SCALE |
| SIZE, SEMI-FINISHED PRODUCTS | | | | STN STANDARD | | SORTING NUMBER |
| AUXILIARY EQUIPMENT | | | | NOTE | | POSITION NUMBER |
| ELABORATED BY Ing. Kluska M. | | | | OLD DRAWING | | DRAWING NUMBER |
| TESTED BY | | | | NAME | | |
| TECHNOLOGIST | | | | Hopper DESIGN | | |
| | | | | Number of sheets | | P-PKLZ DE Sheet  |

Created: 21.04.2026 15:13:39

Technical changes reserved

| Dimensions [mm] | | | | |
|-----------------|-----|-----|-----|----|
| Nominal size | A | B | D | E |
| 80 | 340 | 240 | 79 | 44 |
| 100 | 336 | 240 | 99 | 50 |
| 120 | 333 | 240 | 119 | 60 |