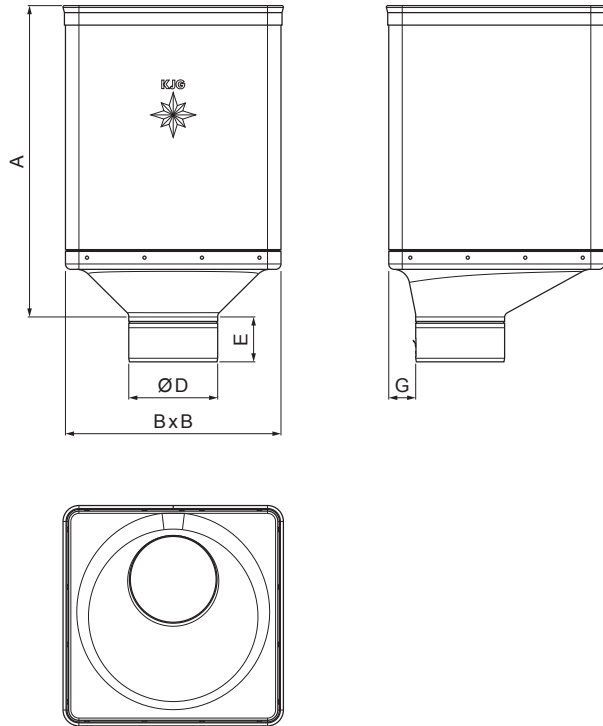


TECHNICAL SHEET

HOPPER DESIGN ECCENTRIC

P-PKLZ DX



TM Galvanized steel pre-painted – Testa di Moro – RAL 8028

Dimensions [mm]					
Nominal size	A	B	D	E	G
80	340	240	79	44	30
100	336	240	99	50	30
120	333	240	119	60	30

INDEX	CHANGE	DATE	SIGNATURE	KJG QUALITY®	Scan code for 3D model
MATERIAL BRAND			W.C.	WEIGHT kg	SCALE
SIZE, SEMI-FINISHED PRODUCTS			STN STANDARD		SORTING NUMBER
AUXILIARY EQUIPMENT			NOTE		POSITION NUMBER
ELABORATED BY Ing. Kluska M.			OLD DRAWING		DRAWING NUMBER
TESTED BY			TECHNOLOGIST		
NAME			Hopper DESIGN ECCENTRIC		Number of sheets
			P-PKLZ DX		Sheet

Created: 06.06.2026 03:37:28

Technical changes reserved