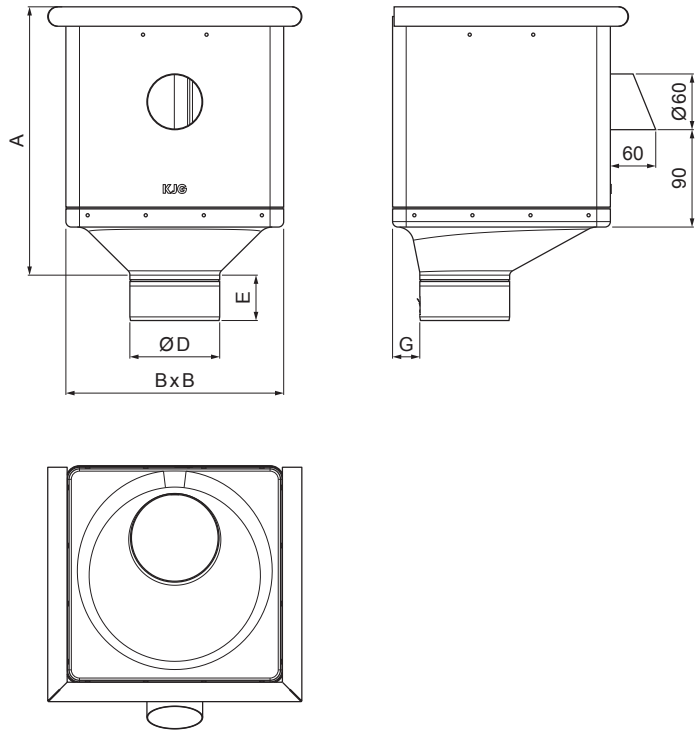


TECHNICAL SHEET

HOPPER CUBIC ECCENTRIC WITH OVERFLOW PIPE M-MKLZ KXV



M Copper – Natur

Dimensions [mm]					
Nominal size	A	B	D	E	G
80	283	240	79	44	30
100	283	240	99	50	30
120	283	240	119	60	30

INDEX	CHANGE	DATE	SIGNATURE	KJG QUALITY®	Scan code for 3D model
MATERIAL BRAND			W.C.	WEIGHT kg	SCALE
SIZE, SEMI-FINISHED PRODUCTS			STN STANDARD		SORTING NUMBER
AUXILIARY EQUIPMENT			NOTE		POSITION NUMBER
ELABORATED BY Ing. Kluska M.			OLD DRAWING		DRAWING NUMBER
TESTED BY			TECHNOLOGIST		
NAME			Hopper CUBIC ECCENTRIC with overflow pipe		Number of sheets
			M-MKLZ KXV		Sheet

Created: 06.06.2026 15:29:47

Technical changes reserved