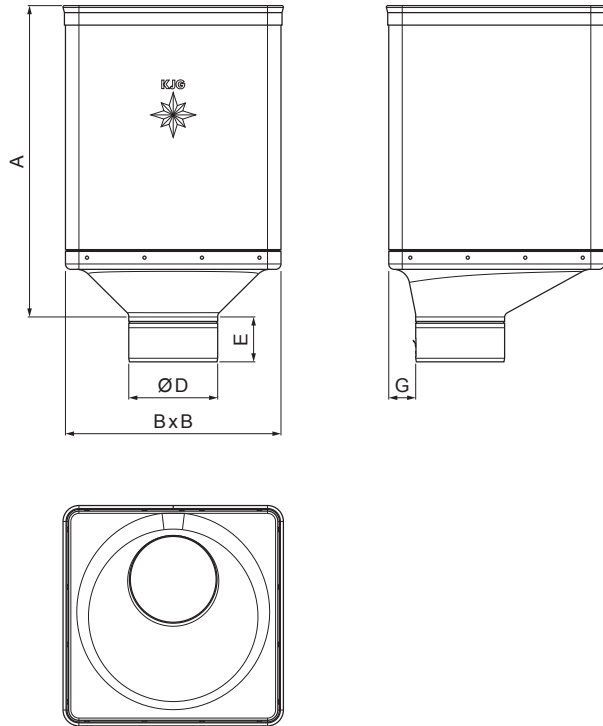


TECHNICAL SHEET





HOPPER DESIGN ECCENTRIC

P-PKLZ DX



PS Galvanized steel prepainted – Dusty grey – RAL 7037

Dimensions [mm]					
Nominal size	A	B	D	E	G
80	340	240	79	44	30
100	336	240	99	50	30
120	333	240	119	60	30

INDEX	CHANGE	DATE	SIGNATURE	  	
MATERIAL BRAND			W.C.	WEIGHT kg	SCALE
SIZE, SEMI-FINISHED PRODUCTS				STN STANDARD	SORTING NUMBER
AUXILIARY EQUIPMENT				NOTE	POSITION NUMBER
ELABORATED BY Ing. Kluska M.					
TESTED BY					
TECHNOLOGIST		TECHNOLOGIST		OLD DRAWING	DRAWING NUMBER
NAME			P-PKLZ DX		
Hopper DESIGN ECCENTRIC			Number of sheets		Sheet 

Created: 04.06.2026 08:46:13

Technical changes reserved