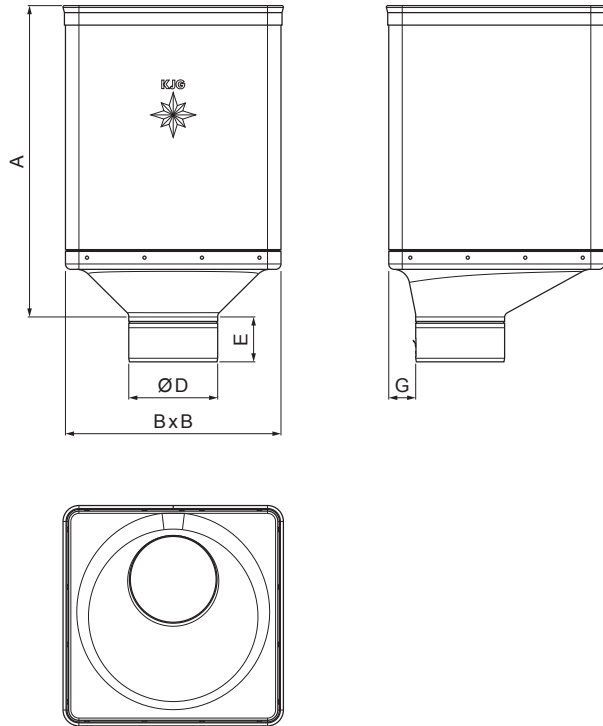


TECHNICAL SHEET

HOPPER DESIGN ECCENTRIC

P-PKLZ DX



BHT Galvanized steel prepainted – Grey aluminum P.20 – RAL 9007

INDEX	CHANGE	DATE	SIGNATURE	KJG QUALITY®	Scan code for 3D model
MATERIAL BRAND			W.C.	WEIGHT kg	SCALE
SIZE, SEMI-FINISHED PRODUCTS				STN STANDARD	SORTING NUMBER
AUXILIARY EQUIPMENT				NOTE	POSITION NUMBER
ELABORATED BY Ing. Kluska M.				OLD DRAWING	DRAWING NUMBER
TESTED BY			TECHNOLOGIST		
NAME			Hopper DESIGN ECCENTRIC		
			Number of sheets	P-PKLZ DX	Sheet

Created: 05.06.2026 03:55:29

Technical changes reserved

Dimensions [mm]					
Nominal size	A	B	D	E	G
80	340	240	79	44	30
100	336	240	99	50	30
120	333	240	119	60	30