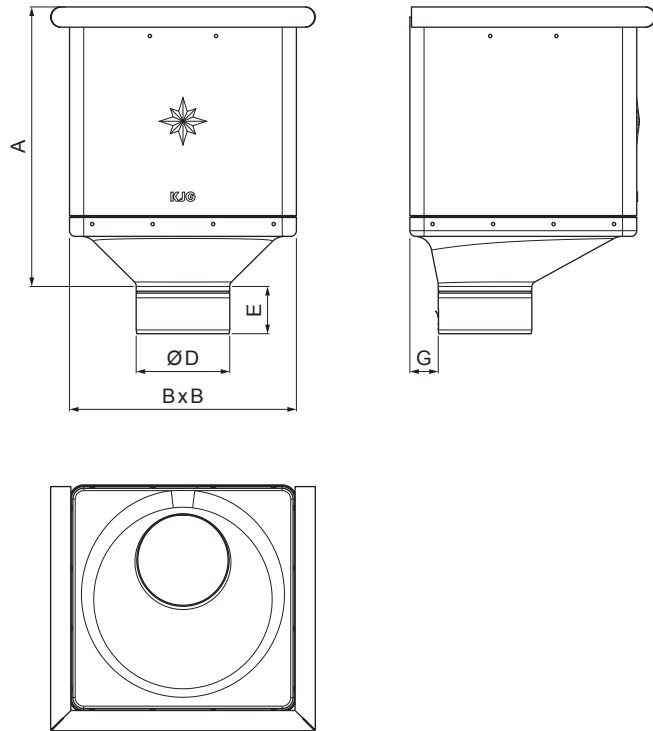


TECHNICAL SHEET


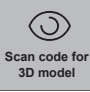


HOPPER CUBIC ECCENTRIC

P-PKLZ KX



SB Galvanized steel prepainted – Grey white – RAL 9002

Dimensions [mm]					
Nominal size	A	B	D	E	G
80	283	240	79	44	30
100	283	240	99	50	30
120	283	240	119	60	30

INDEX	CHANGE	DATE	SIGNATURE			
MATERIAL BRAND			W.C.	WEIGHT kg	SCALE	
SIZE, SEMI-FINISHED PRODUCTS			STN STANDARD		SORTING NUMBER	
AUXILIARY EQUIPMENT			NOTE		POSITION NUMBER	
ELABORATED BY Ing. Kluska M.			OLD DRAWING		DRAWING NUMBER	
TESTED BY			NAME		Number of sheets	
TECHNOLOGIST			Hopper CUBIC ECCENTRIC		P-PKLZ KX	
					Sheet 	

Created: 07.06.2026 13:39:18

Technical changes reserved