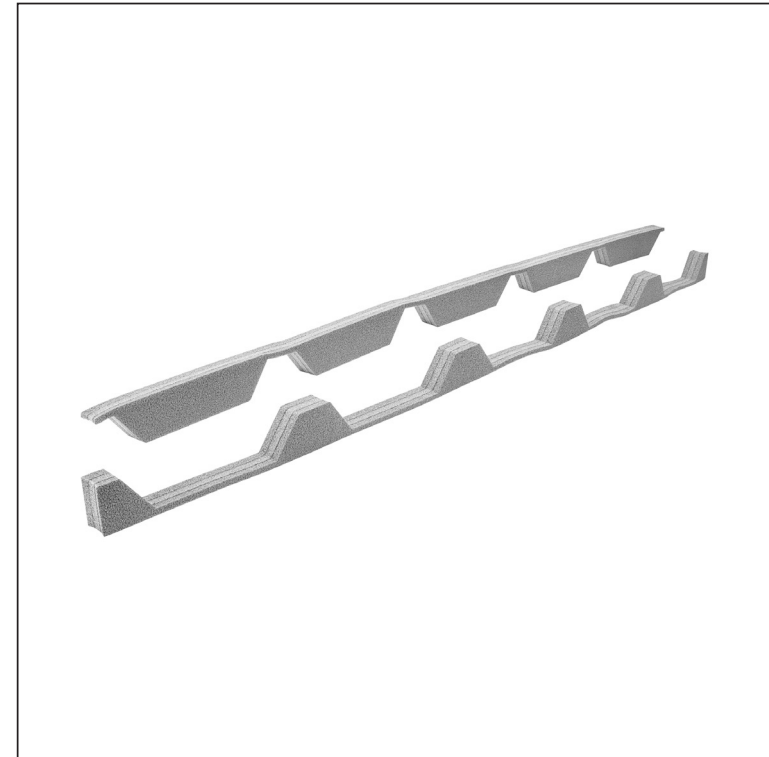
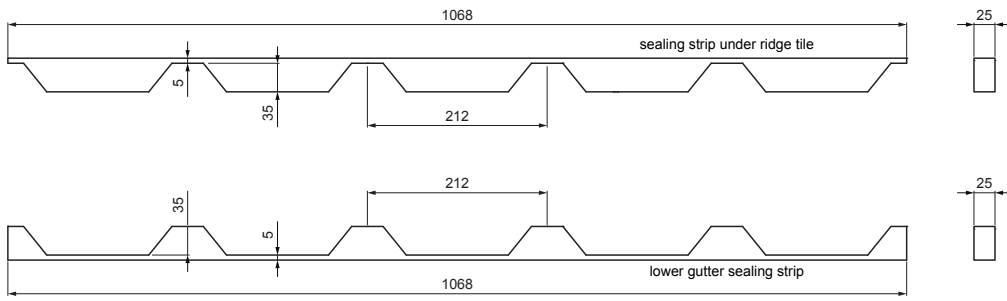


TECHNICAL SHEET

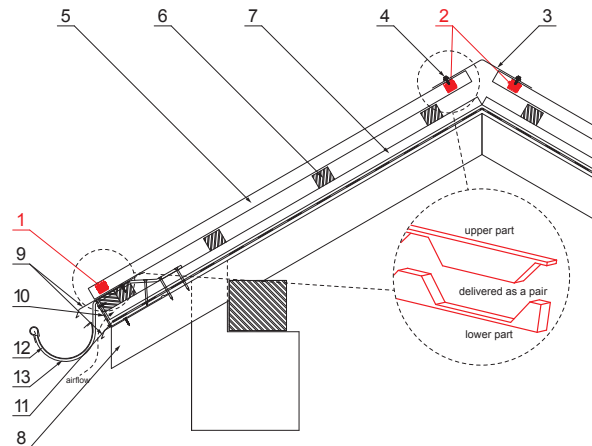
PROFILE FILLER STRIP GRAY FOR TRAPEZOIDAL SHEET TR 35

TR-35 UTP






DETAIL:

- 1. gutter sealing strip
- 2. sealing strip under ridge tile
- 3. ridge cap
- 4. farmer screw 4,8x20
- 5. trapezoidal sheet
- 6. roof battens
- 7. battens
- 8. rafter
- 9. drip edge
- 10. protective ventilation belt
- 11. foil
- 12. gutter half-round
- 13. hook



PS Polyethylene – Dusty grey – RAL 7037

INDEX	CHANGE	DATE	SIGNATURE			
MATERIAL BRAND			W.C.	WEIGHT kg	SCALE	
SIZE, SEMI-FINISHED PRODUCTS				STN STANDARD	SORTING NUMBER	
AUXILIARY EQUIPMENT				NOTE	POSITION NUMBER	
ELABORATED BY Ing. Kluska M.						
TESTED BY						
TECHNOLOGIST		TECHNOLOGIST		OLD DRAWING	DRAWING NUMBER	
NAME Profile filler strip gray for trapezoidal sheet TR 35				Number of sheets	TR-35 UTP Sheet	

Created: 04.06.2026 12:15:26

Technical changes reserved