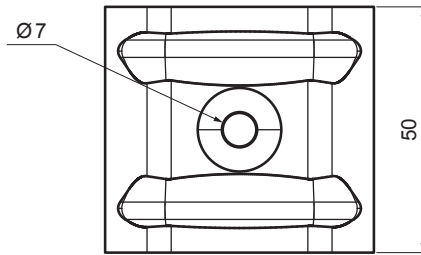
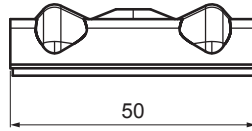
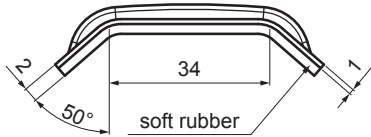


TECHNICAL SHEET

ALUMINUM CALOTTE WASHER TR 18

TR-ORK TR18

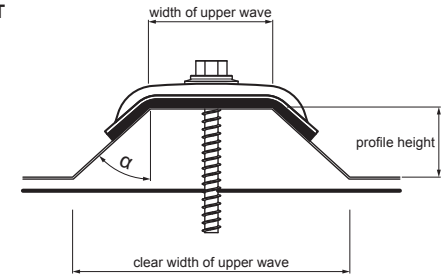


USE:
- to fix TR in its upper wave

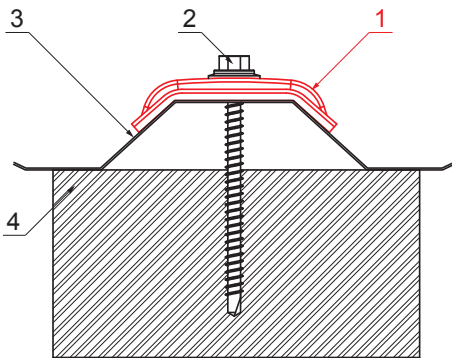
FEATURES:
- increases stability
- security of attachment

VALUES FOR DETERMINING THE CORRECT CALLOTE:

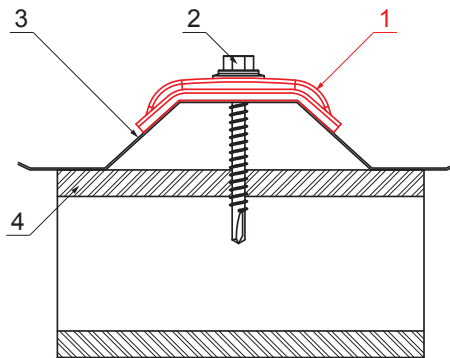
- width of upper wave (mm)
- angle α (°)
- or**
- width of upper wave (mm)
- profile height (mm)
- clear width of upper wave (mm)



SB Aluminium preprinted – Grey white – RAL 9002



- DETAIL:**
1. aluminum calotte washer TR
 2. galvanized TR screw for wood
 3. trapezoidal sheet roof
 4. wood



- DETAIL:**
1. aluminum calotte washer TR
 2. galvanized TR screw for steel
 3. trapezoidal sheet roof
 4. steel

INDEX	CHANGE	DATE	SIGNATURE	KJG QUALITY	Scan code for 3D model	QR CODE
MATERIAL BRAND			W.C.	WEIGHT kg	SCALE	
SIZE, SEMI-FINISHED PRODUCTS				STN STANDARD	SORTING NUMBER	
AUXILIARY EQUIPMENT				NOTE	POSITION NUMBER	
ELABORATED BY Ing. Kluska M.						
TESTED BY				OLD DRAWING	DRAWING NUMBER	
TECHNOLOGIST			TECHNOLOGIST			
NAME			Aluminum calotte washer TR 18		TR-ORK TR18	
			Number of sheets		Sheet	

Created: 06.06.2026 06:29:24

Technical changes reserved