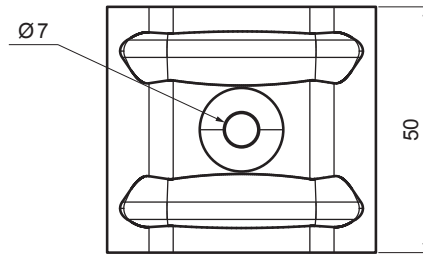
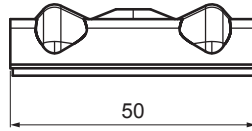
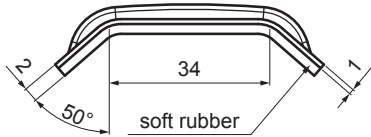


TECHNICAL SHEET

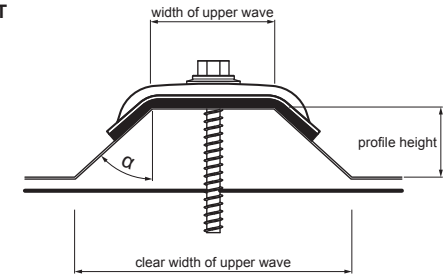
ALUMINUM CALOTTE WASHER TR 18

TR-ORK TR18



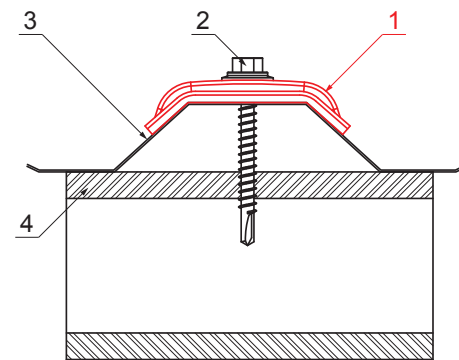
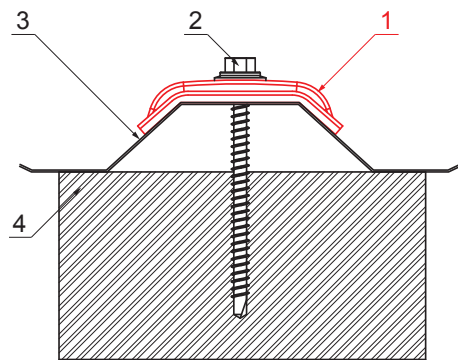
VALUES FOR DETERMINING THE CORRECT CALLOTE:

- width of upper wave (mm)
- angle α (°)
- or**
- width of upper wave (mm)
- profile height (mm)
- clear width of upper wave (mm)



USE:
- to fix TR in its upper wave

FEATURES:
- increases stability
- security of attachment



DETAIL:
1. aluminum calotte washer TR
2. galvanized TR screw for wood
3. trapezoidal sheet roof
4. wood

DETAIL:
1. aluminum calotte washer TR
2. galvanized TR screw for steel
3. trapezoidal sheet roof
4. steel

BHT Aluminium pre-painted – Grey aluminium – RAL 9007

INDEX	CHANGE	DATE	SIGNATURE	KJG QUALITY	Scan code for 3D model	
MATERIAL BRAND			W.C.	WEIGHT kg	SCALE	
SIZE, SEMI-FINISHED PRODUCTS				STN STANDARD	SORTING NUMBER	
AUXILIARY EQUIPMENT				NOTE	POSITION NUMBER	
ELABORATED BY Ing. Kluska M.						
TESTED BY				OLD DRAWING	DRAWING NUMBER	
TECHNOLOGIST			TECHNOLOGIST			
NAME Aluminum calotte washer TR 18				Number of sheets	TR-ORK TR18 Sheet	

Created: 07.06.2026 12:50:56

Technical changes reserved