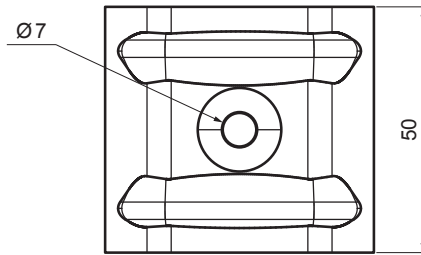
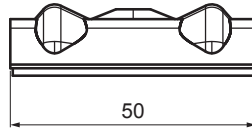
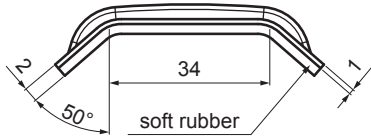


TECHNICAL SHEET

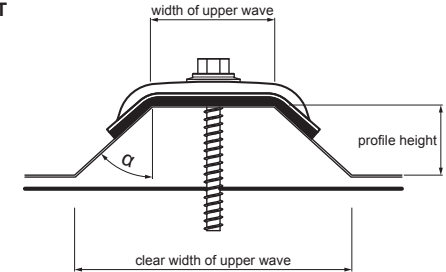
# ALUMINUM CALOTTE WASHER TR 18

# TR-ORK TR18



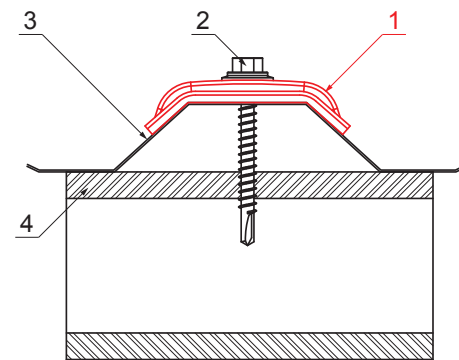
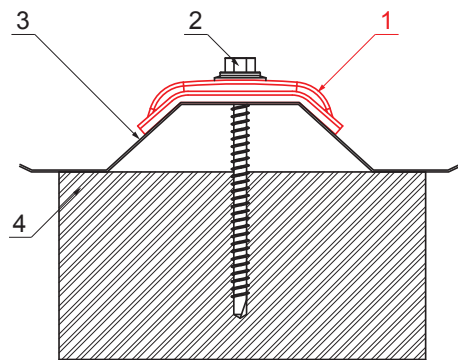
**VALUES FOR DETERMINING THE CORRECT CALLOTE:**

- width of upper wave (mm)
- angle  $\alpha$  (°)
- or**
- width of upper wave (mm)
- profile height (mm)
- clear width of upper wave (mm)



**USE:**  
- to fix TR in its upper wave

**FEATURES:**  
- increases stability  
- security of attachment



- DETAIL:**
1. aluminum calotte washer TR
  2. galvanized TR screw for wood
  3. trapezoidal sheet roof
  4. wood

- DETAIL:**
1. aluminum calotte washer TR
  2. galvanized TR screw for steel
  3. trapezoidal sheet roof
  4. steel

**W** Aluminium – Natur

INDEX	CHANGE	DATE	SIGNATURE	<b>KJG</b> QUALITY	Scan code for 3D model	
MATERIAL BRAND			W.C.	WEIGHT kg	SCALE	
SIZE, SEMI-FINISHED PRODUCTS				STN STANDARD	SORTING NUMBER	
AUXILIARY EQUIPMENT				NOTE	POSITION NUMBER	
ELABORATED BY Ing. Kluska M.				OLD DRAWING	DRAWING NUMBER	
TESTED BY			TECHNOLOGIST			
NAME			Aluminum calotte washer TR 18		TR-ORK TR18	
			Number of sheets		Sheet	

Created: 04.06.2026 14:01:36

Technical changes reserved