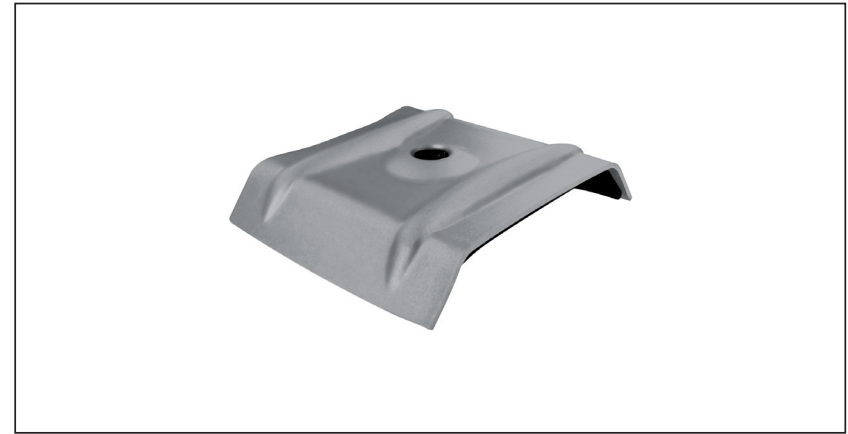
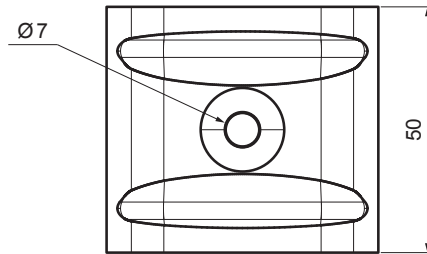
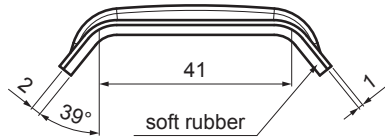


TECHNICAL SHEET

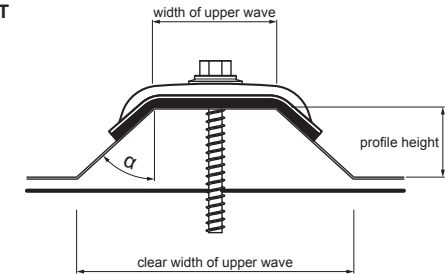
# ALUMINUM CALOTTE WASHER TR 35

# TR-ORK TR35



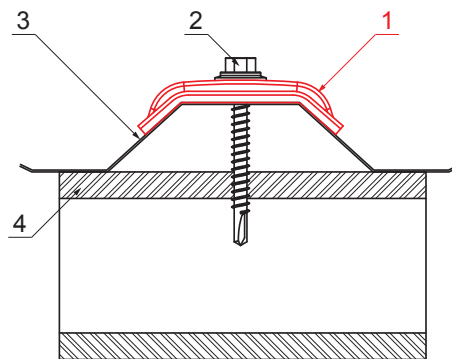
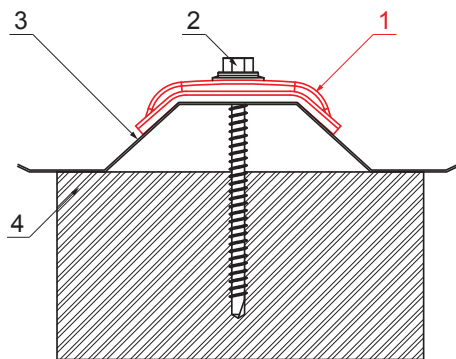
**VALUES FOR DETERMINING THE CORRECT CALLOTE:**

- width of upper wave (mm)
- angle  $\alpha$  (°)
- or**
- width of upper wave (mm)
- profile height (mm)
- clear width of upper wave (mm)



**USE:**  
- to fix TR in its upper wave

**FEATURES:**  
- increases stability  
- security of attachment



**DETAIL:**  
1. aluminum calotte washer TR  
2. galvanized TR screw for wood  
3. trapezoidal sheet roof  
4. wood

**DETAIL:**  
1. aluminum calotte washer TR  
2. galvanized TR screw for steel  
3. trapezoidal sheet roof  
4. steel

**PS** Aluminium preprinted – Dusty grey – RAL 7037

INDEX	CHANGE	DATE	SIGNATURE	<b>KJG</b> QUALITY	Scan code for 3D model	
MATERIAL BRAND			W.C.	WEIGHT kg	SCALE	
SIZE, SEMI-FINISHED PRODUCTS				STN STANDARD	SORTING NUMBER	
AUXILIARY EQUIPMENT				NOTE	POSITION NUMBER	
ELABORATED BY Ing. Kluska M.						
TESTED BY				OLD DRAWING	DRAWING NUMBER	
TECHNOLOGIST			TECHNOLOGIST			
NAME			Aluminum calotte washer TR 35		TR-ORK TR35	
			Number of sheets		Sheet	

Created: 22.04.2026 00:06:28

Technical changes reserved