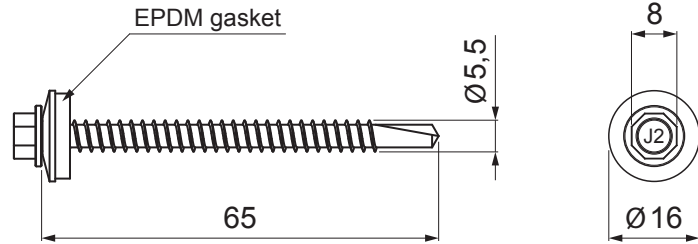


TECHNICAL SHEET

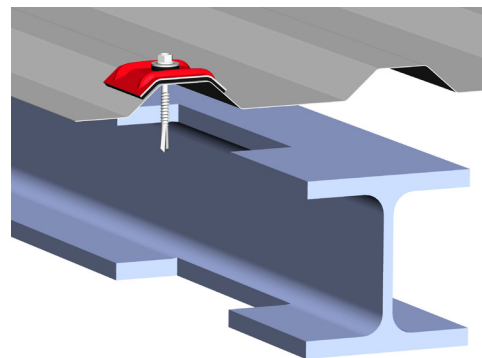
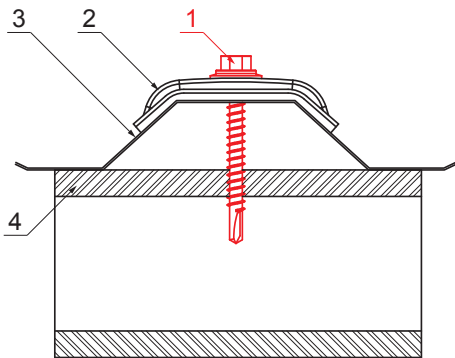
GALVANIZED TR SCREW FOR STEEL

TR-ORK-SOK



USE:

- for anchoring profiled structural steel sheets TR18 and TR35 to steel structures with a thickness of 4-12 mm
- for attaching TR using a calotte to the steel structure



DETAIL:

1. galvanized TR screw for steel
2. aluminum calotte washer TR
3. trapezoidal sheet roof
4. metal

ATTACHING TR WITH A CALLOTE:

- steel structure

P Galvanized steel – Natur

INDEX	CHANGE	DATE	SIGNATURE	KJG QUALITY®	Scan code for 3D model	
MATERIAL BRAND			W.C.	WEIGHT kg	SCALE	
SIZE, SEMI-FINISHED PRODUCTS				STN STANDARD	SORTING NUMBER	
AUXILIARY EQUIPMENT				NOTE	POSITION NUMBER	
ELABORATED BY Ing. Kluska M.						
TESTED BY						
TECHNOLOGIST		TECHNOLOGIST		OLD DRAWING	DRAWING NUMBER	
NAME				TR-ORK-SOK		
Galvanized TR screw for steel				Number of sheets		Sheet

Created: 04.06.2026 11:36:16

Technical changes reserved