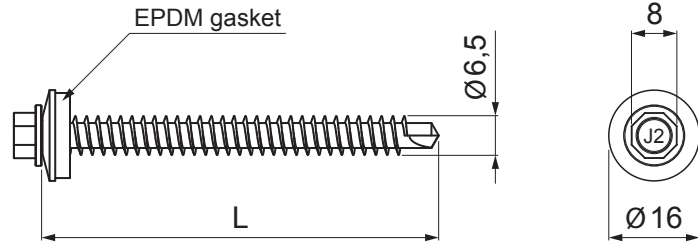


TECHNICAL SHEET

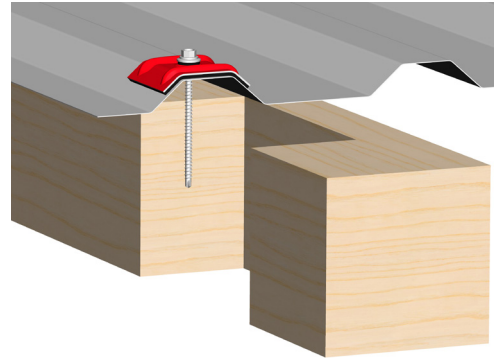
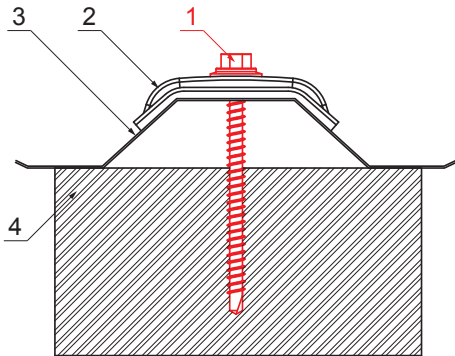
GALVANIZED TR SCREW FOR WOOD

TR-ORK-SDK



USE:

- for anchoring profiled structural steel sheets TR18 and TR35 to wooden supporting structures
- for attaching TR to a wooden structure by means of a calotte



DETAIL:

1. galvanized TR screw for wood
2. aluminum calotte washer TR
3. trapezoidal sheet roof
4. wood

ATTACHING TR WITH A CALLOTE:

- wooden structure

P Galvanized steel – Natur

INDEX	CHANGE	DATE	SIGNATURE	KJG QUALITY®	Scan code for 3D model	
MATERIAL BRAND			W.C.	WEIGHT kg	SCALE	
SIZE, SEMI-FINISHED PRODUCTS			STN STANDARD		SORTING NUMBER	
AUXILIARY EQUIPMENT			NOTE		POSITION NUMBER	
ELABORATED BY Ing. Kluska M.			OLD DRAWING		DRAWING NUMBER	
TESTED BY			TECHNOLOGIST		DRAWING NUMBER	
NAME			Galvanized TR screw for wood		TR-ORK-SDK	
			Number of sheets		Sheet	

Created: 04.06.2026 12:15:43

Technical changes reserved

Dimensions [mm]	
Nominal dimension	L
6,5x65	65
6,5x90	90