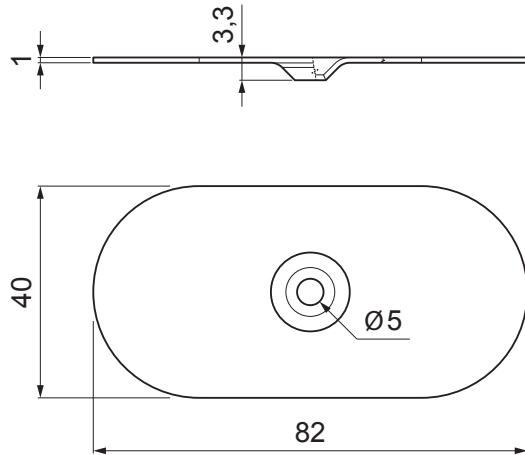


# TECHNICAL SHEET

## PLATE WASHER ALUZINC

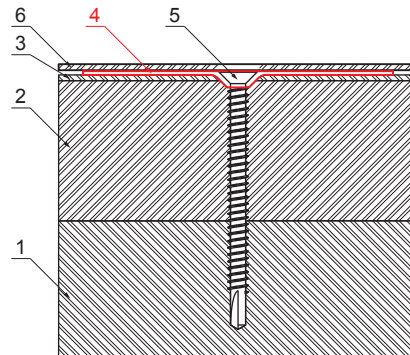
# TR-ORK-HTV-TK



**USE:**  
- for mechanical anchoring the waterproofing to the supporting structure made of trapezoidal steel sheet, wood, and board materials

**MATERIAL:**  
- steel with surface treatment ALUZINC

- DETAIL:**
1. supporting structure
  2. thermal insulation
  3. waterproofing
  4. plate washer ALUZINC
  5. galvanized screw DABO
  6. top foil



**AZ** ALUZINC

INDEX	CHANGE	DATE	SIGNATURE	<b>KJG</b> QUALITY®	Scan code for 3D model	
MATERIAL BRAND			W.C.	WEIGHT kg	SCALE	
SIZE, SEMI-FINISHED PRODUCTS				STN STANDARD	SORTING NUMBER	
AUXILIARY EQUIPMENT				NOTE	POSITION NUMBER	
ELABORATED BY Ing. Kluska M.						
TESTED BY						
TECHNOLOGIST		TECHNOLOGIST		OLD DRAWING	DRAWING NUMBER	
NAME				TR-ORK-HTV-TK		
Plate washer ALUZINC				Number of sheets	Sheet	

Created: 04.06.2026 14:45:36

Technical changes reserved