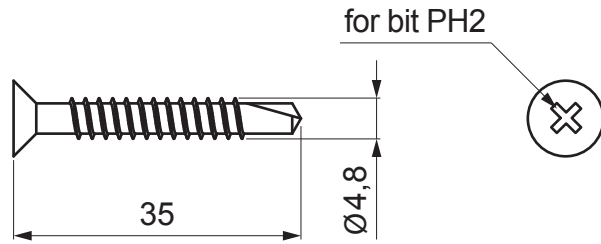


TECHNICAL SHEET

GALVANIZED SCREW DABO

TR-ORK-HTV



USE:

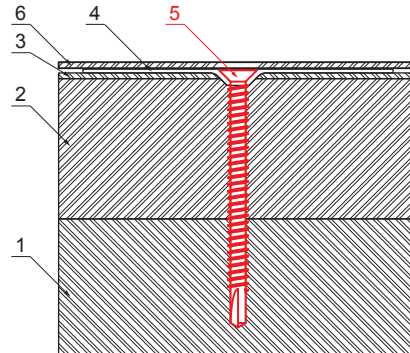
- for fastening waterproofing to structures made of steel sheet, wood, and board materials, in combination with plate washers
- tightening attachment bit PH2

MINIMUM LENGTH:

- steel sheet – insulation thickness + 20 mm
- wood – insulation thickness + 30 mm

DETAIL:

1. supporting structure
2. thermal insulation
3. waterproofing
4. plate washer ALUZINK
5. galvanized screw DABO
6. top foil



P Galvanized steel – Natur

INDEX	CHANGE	DATE	SIGNATURE		
MATERIAL BRAND			W.C.	WEIGHT kg	SCALE
SIZE, SEMI-FINISHED PRODUCTS					
AUXILIARY EQUIPMENT				STN STANDARD	SORTING NUMBER
ELABORATED BY Ing. Kluska M.				NOTE	POSITION NUMBER
TESTED BY					
TECHNOLOGIST		TECHNOLOGIST		OLD DRAWING	DRAWING NUMBER
NAME				Number of sheets	
Galvanized screw DABO				TR-ORK-HTV	
				Sheet	

Created: 05.06.2026 19:09:01

Technical changes reserved