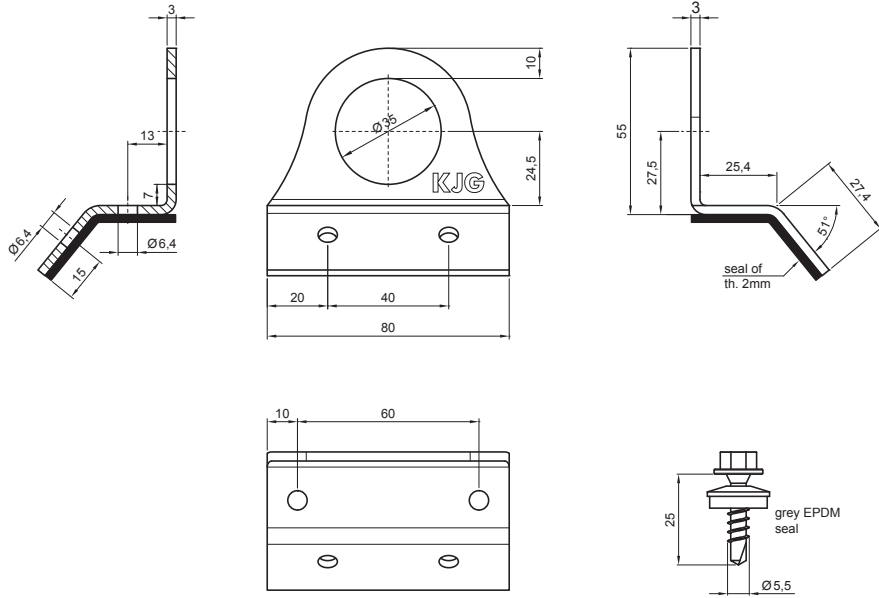


TECHNICAL SHEET

# HOLDER FOR TRAPEZOIDAL SHEET 1-HOLE

# ZS-TR WSZTR 1/35

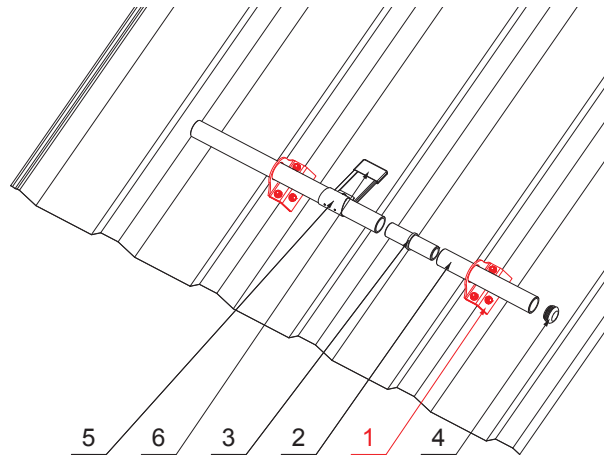


**PACKAGING:**





- holder for trapezoidal sheet 1-hole – 1 pcs
- screw stainless steel Ø5,5x25 – 4 pcs

**DETAIL:**

- holder for trapezoidal sheet 1-hole
- pipe for snow stopper for FALZ
- PVC pipe coupling for snow stopper
- PVC pipe end cap for snow stopper
- ice stopper for trapezoidal sheet
- PVC black sleeve for ice stopper



**W** Aluminium – Natur

INDEX	CHANGE	DATE	SIGNATURE			
MATERIAL BRAND			W.C.	WEIGHT kg	SCALE	
SIZE, SEMI-FINISHED PRODUCTS				STN STANDARD	SORTING NUMBER	
AUXILIARY EQUIPMENT				NOTE	POSITION NUMBER	
ELABORATED BY Ing. Kluska M.						
TESTED BY						
TECHNOLOGIST		TECHNOLOGIST		OLD DRAWING	DRAWING NUMBER	
NAME				ZS-TR WSZTR 1/35		
Holder for trapezoidal sheet 1-hole				Number of sheets		Sheet 

Created: 04.12.2025 13:13:29

Technical changes reserved