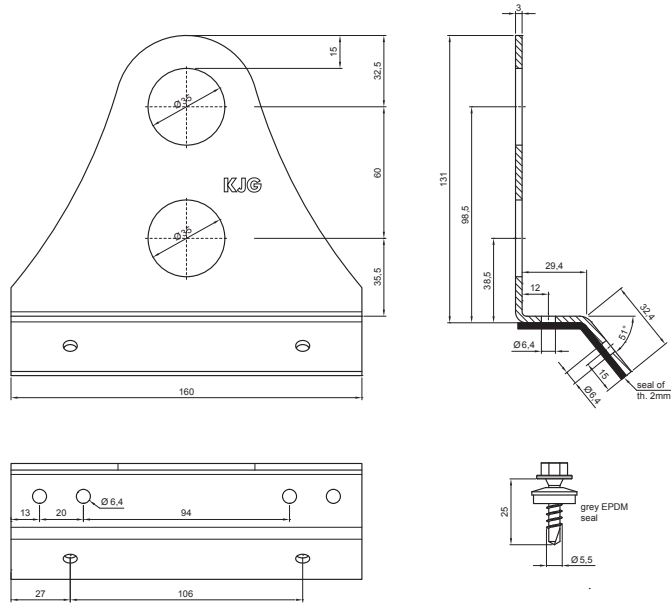


TECHNICAL SHEET

HOLDER FOR TRAPEZOIDAL SHEET 2-HOLE

ZS-TR WSZTR 2/35

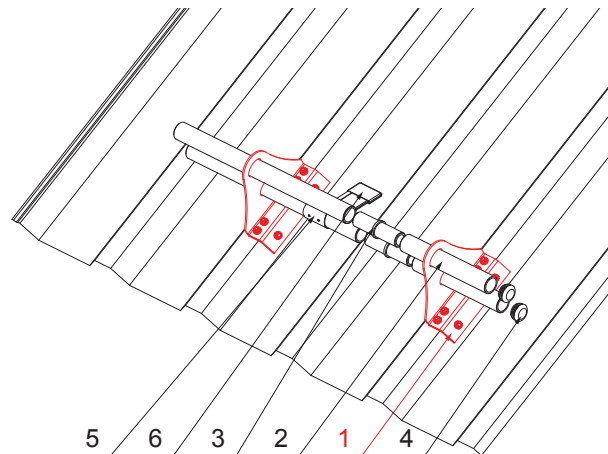


PACKAGING:

- holder for trapezoidal sheet 2-hole – 1 pcs
- screw stainless steel Ø5,5x25 – 6 pcs

DETAIL:

- holder for trapezoidal sheet 2-hole
- pipe for snow stopper for FALZ
- PVC pipe coupling for snow stopper
- PVC pipe end cap for snow stopper
- ice stopper for trapezoidal sheet
- PVC black sleeve for ice stopper



W Aluminium – Natur

INDEX	CHANGE	DATE	SIGNATURE		
MATERIAL BRAND			W.C.	WEIGHT kg	SCALE
SIZE, SEMI-FINISHED PRODUCTS				STN STANDARD	SORTING NUMBER
AUXILIARY EQUIPMENT				NOTE	POSITION NUMBER
ELABORATED BY Ing. Kluska M.					
TESTED BY		TECHNOLOGIST		OLD DRAWING	DRAWING NUMBER
NAME			Holder for trapezoidal sheet 2-hole		
Number of sheets			ZS-TR WSZTR 2/35 Sheet		

Created: 06.06.2026 17:40:01

Technical changes reserved