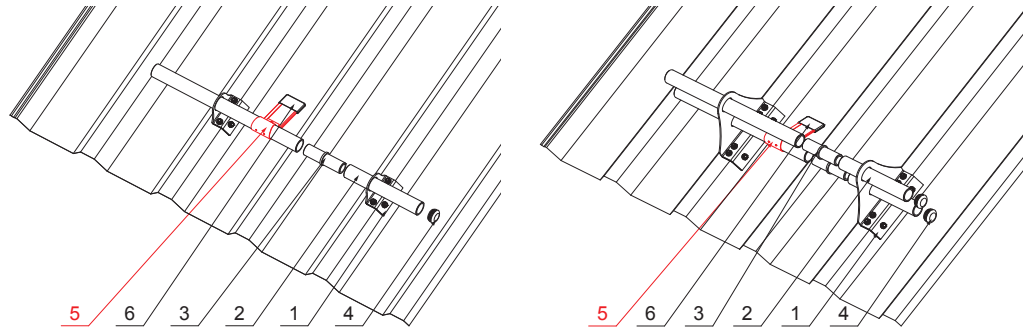
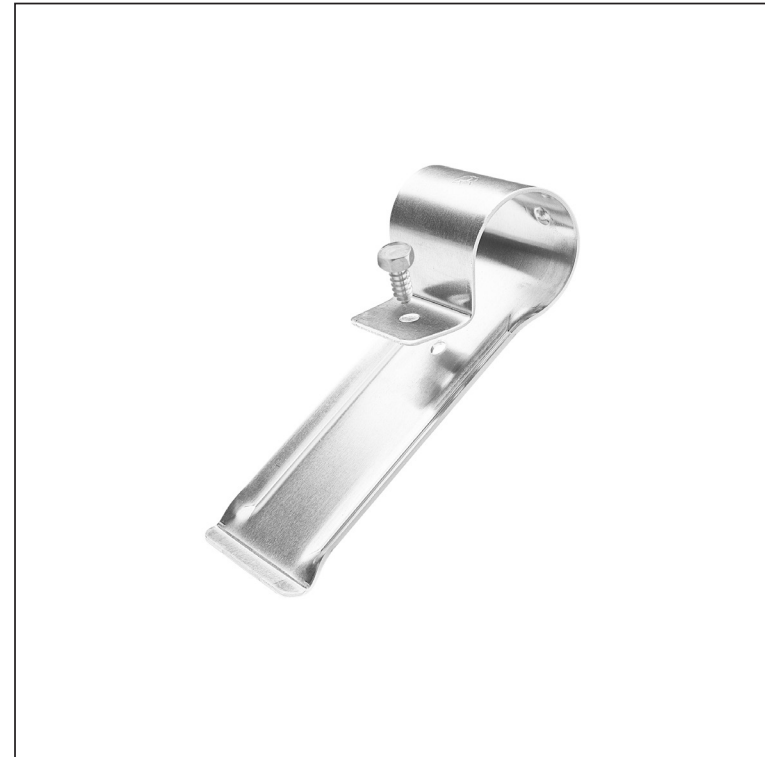
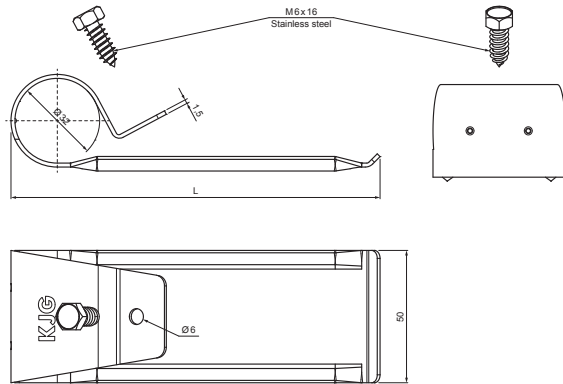


TECHNICAL SHEET

ICE STOPPER FOR TRAPEZOIDAL SHEET

ZS-TR WSZTR ROLA



W Aluminium – Natur

DETAIL:

1. holder for trapezoidal sheet 1-hole
2. pipe for snow stopper for FALZ
3. PVC pipe coupling for snow stopper
4. PVC pipe end cap for snow stopper
5. ice stopper for trapezoidal sheet
6. PVC black sleeve for ice stopper

DETAIL:

1. holder for trapezoidal sheet 2-hole
2. pipe for snow stopper for FALZ
3. PVC pipe coupling for snow stopper
4. PVC pipe end cap for snow stopper
5. ice stopper for trapezoidal sheet
6. PVC black sleeve for ice stopper

Dimensions [mm]	
Nominal dimension	L
85	85
135	135

INDEX	CHANGE	DATE	SIGNATURE		
MATERIAL BRAND			W.C.	WEIGHT kg	SCALE
SIZE, SEMI-FINISHED PRODUCTS				STN STANDARD	SORTING NUMBER
AUXILIARY EQUIPMENT				NOTE	POSITION NUMBER
ELABORATED BY Ing. Kluska M.					
TESTED BY		TECHNOLOGIST		OLD DRAWING	DRAWING NUMBER
NAME				ZS-TR WSZTR ROLA	
Ice stopper for trapezoidal sheet				Number of sheets	Sheet

Created: 06.06.2026 17:39:59

Technical changes reserved