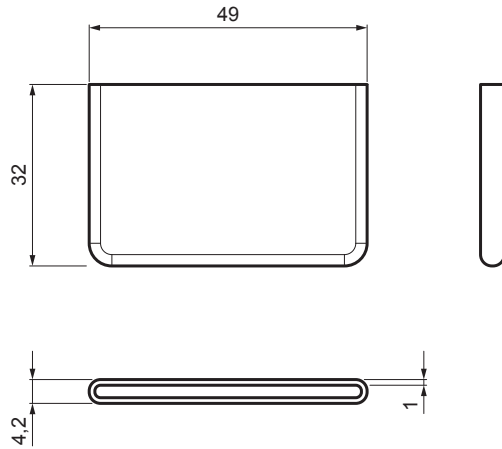
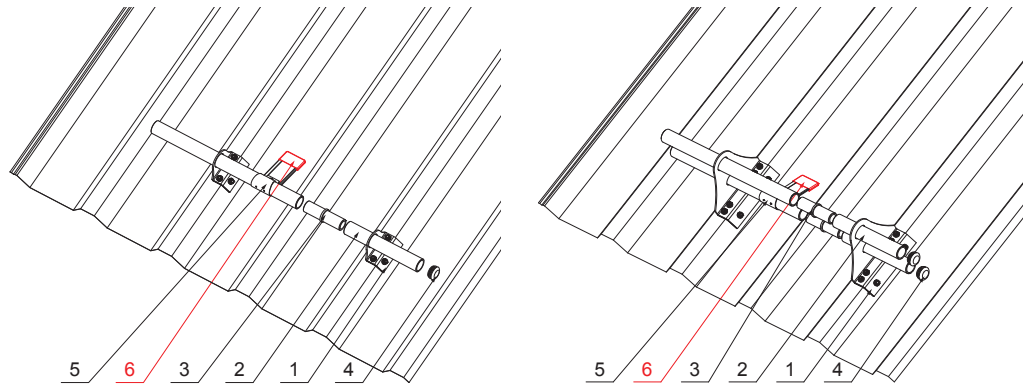


TECHNICAL SHEET

# PVC BLACK SLEEVE FOR ICE STOPPER ZS-TR WSZTR NAVLEK



**IC** PVC – Intense black – RAL 9005







**DETAIL:**

1. holder for trapezoidal sheet 1-hole
2. pipe for snow stopper for FALZ
3. PVC pipe coupling for snow stopper
4. PVC pipe end cap for snow stopper
5. ice stopper for trapezoidal sheet
6. PVC black sleeve for ice stopper

**DETAIL:**

1. holder for trapezoidal sheet 2-hole
2. pipe for snow stopper for FALZ
3. PVC pipe coupling for snow stopper
4. PVC pipe end cap for snow stopper
5. ice stopper for trapezoidal sheet
6. PVC black sleeve for ice stopper

INDEX	CHANGE	DATE	SIGNATURE			
MATERIAL BRAND			W.C.	WEIGHT kg	SCALE	
SIZE, SEMI-FINISHED PRODUCTS					STN STANDARD	
AUXILIARY EQUIPMENT					SORTING NUMBER	
ELABORATED BY Ing. Kluska M.					NOTE	
TESTED BY					POSITION NUMBER	
TECHNOLOGIST			TECHNOLOGIST		OLD DRAWING	
NAME			PVC black sleeve for ice stopper		DRAWING NUMBER	
				ZS-TR WSZTR NAVLEK		
				Number of sheets		Sheet 

Created: 06.06.2026 17:40:06

Technical changes reserved