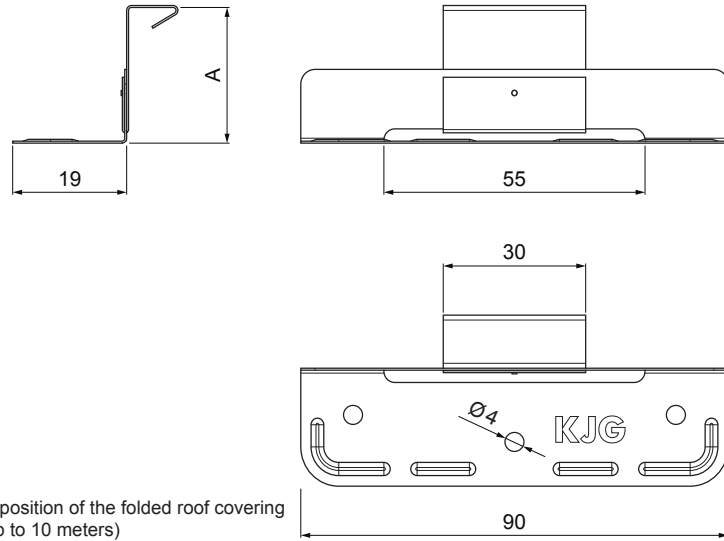


TECHNICAL SHEET

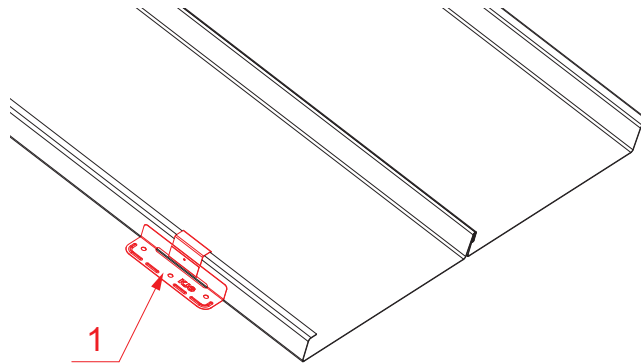
SLIDING CLIP FOR FAZ STAINLESS STEEL 55

FALZ-NPRPO



USE:
- to secure the position of the folded roof covering
(for lengths up to 10 meters)

DETAIL:
1. sliding clip for faz stainless steel 55



N Stainless steel – AISI 304 BA – mirror gloss

Dimensions [mm]	
Nominal dimension	A
25/55	25
28/55	28
32/55	32

INDEX	CHANGE	DATE	SIGNATURE	KJG QUALITY®	Scan code for 3D model
MATERIAL BRAND			W.C.	WEIGHT kg	SCALE
SIZE, SEMI-FINISHED PRODUCTS				STN STANDARD	SORTING NUMBER
AUXILIARY EQUIPMENT				NOTE	POSITION NUMBER
ELABORATED BY Ing. Kluska M.					
TESTED BY					
TECHNOLOGIST		TECHNOLOGIST		OLD DRAWING	DRAWING NUMBER
NAME Sliding clip for faz stainless steel 55				Number of sheets	FALZ-NPRPO Sheet

Created: 04.06.2026 11:09:21

Technical changes reserved