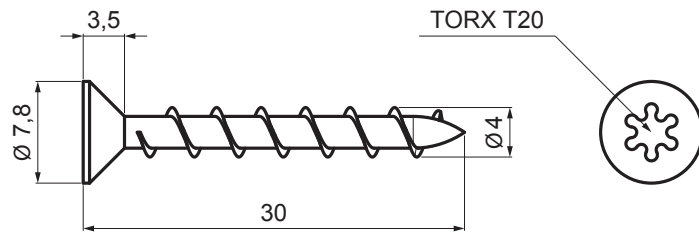


TECHNICAL SHEET

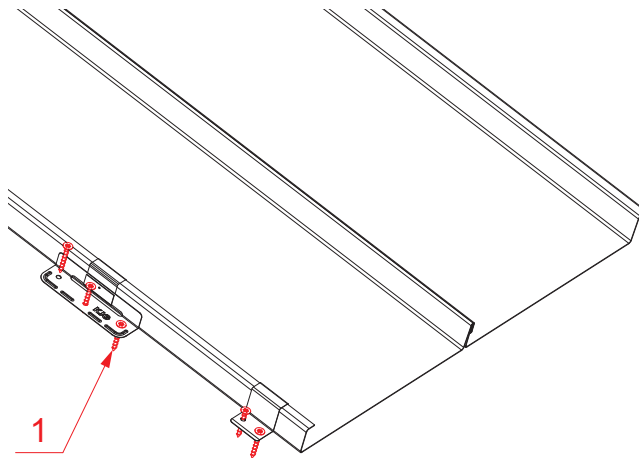
SCREW WITH TORX HEAD FOR CLIP GALVANIZED STEEL

FALZ-NPRSK






USE:
- for fixing stainless steel clips

DETAIL:
1. screw with TORX head for clip



P Galvanized steel – Natur

INDEX	CHANGE	DATE	SIGNATURE		
MATERIAL BRAND			W.C.	WEIGHT kg	SCALE
SIZE, SEMI-FINISHED PRODUCTS				STN STANDARD	SORTING NUMBER
AUXILIARY EQUIPMENT				NOTE	POSITION NUMBER
ELABORATED BY Ing. Kluska M.				OLD DRAWING	DRAWING NUMBER
TESTED BY			TECHNOLOGIST		
NAME			Screw with TORX head for clip galvanized steel		Number of sheets
			FALZ-NPRSK		Sheet 

Created: 04.06.2026 19:46:11

Technical changes reserved