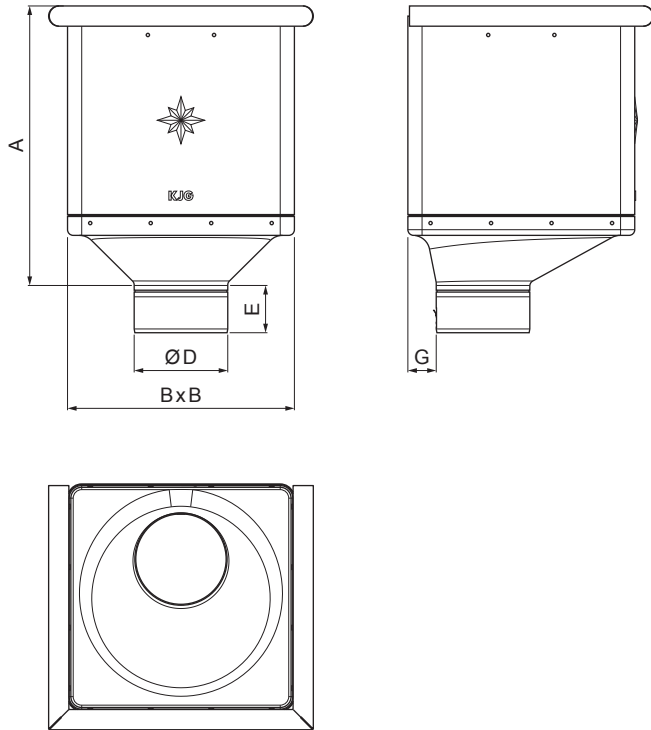


TECHNICAL SHEET





# HOPPER CUBIC ECCENTRIC

# P-PKLZ KX



**TZ** Galvanized steel prepainted – Reseda green – RAL 6011

Dimensions [mm]					
Nominal size	A	B	D	E	G
80	283	240	79	44	30
100	283	240	99	50	30
120	283	240	119	60	30

INDEX	CHANGE	DATE	SIGNATURE			
MATERIAL BRAND			W.C.	WEIGHT kg	SCALE	
SIZE, SEMI-FINISHED PRODUCTS			STN STANDARD		SORTING NUMBER	
AUXILIARY EQUIPMENT			NOTE		POSITION NUMBER	
ELABORATED BY Ing. Kluska M.			OLD DRAWING		DRAWING NUMBER	
TESTED BY			TECHNOLOGIST		DRAWING NUMBER	
NAME			Hopper CUBIC ECCENTRIC		P-PKLZ KX	
			Number of sheets		Sheet 	

Created: 04.06.2026 05:02:30

Technical changes reserved