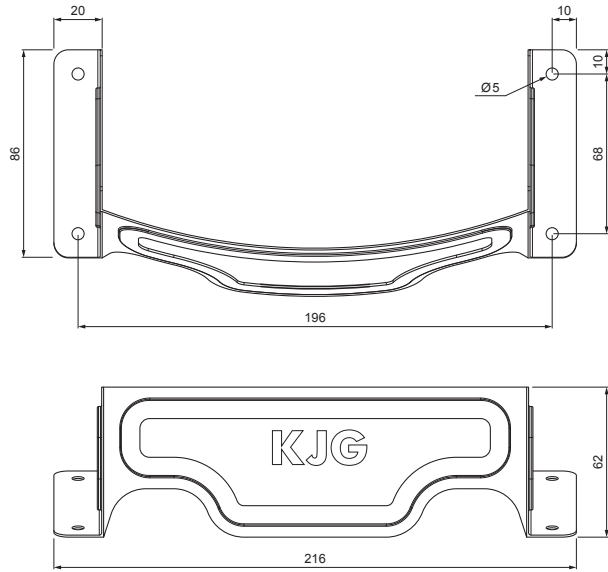


TECHNICAL SHEET

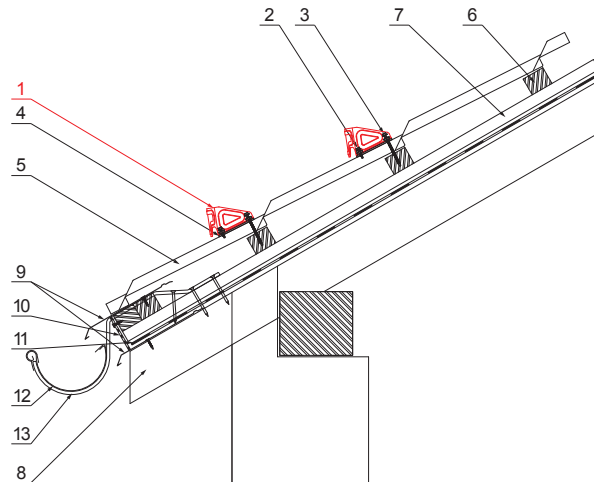
# SNOW STOPPER ARCHED

# UNI-ZSO







**DETAIL:**

- 1. snow stopper arched
- 2. farmer screw 4,8x35
- 3. farmer screw 4,8x60
- 4. EPDM tesnenie 20x86x3
- 5. metal roofing
- 6. roof battens
- 7. battens
- 8. rafter
- 9. drip edge
- 10. protective ventilation belt
- 11. foil
- 12. gutter half-round
- 13. hook



**TH** Galvanized steel pre-painted MARCEGAGLIA – Dark brown ČOKO – RAL 8017

|                              |        |              |           |   |   |   |
|------------------------------|--------|--------------|-----------|---|---|---|
| INDEX                        | CHANGE | DATE         | SIGNATURE |  |                |  |
|                              |        |              |           |   |   |   |
| MATERIAL BRAND               |        |              | W.C.      | WEIGHT kg   | SCALE   |   |
| SIZE, SEMI-FINISHED PRODUCTS |        |              |           | STN STANDARD  | SORTING NUMBER  |   |
| AUXILIARY EQUIPMENT          |        |              |           | NOTE  | POSITION NUMBER   |   |
| ELABORATED BY Ing. Kluska M. |        |              |           |   |   |   |
| TESTED BY                    |        |              |           |   |   |   |
| TECHNOLOGIST                 |        | TECHNOLOGIST |           | OLD DRAWING   | DRAWING NUMBER  |   |
| NAME                         |        |              |           |   |   |   |
| Snow stopper arched          |        |              |           | Number of sheets  | UNI-ZSO Sheet  |   |

Created: 06.06.2026 07:19:17

Technical changes reserved