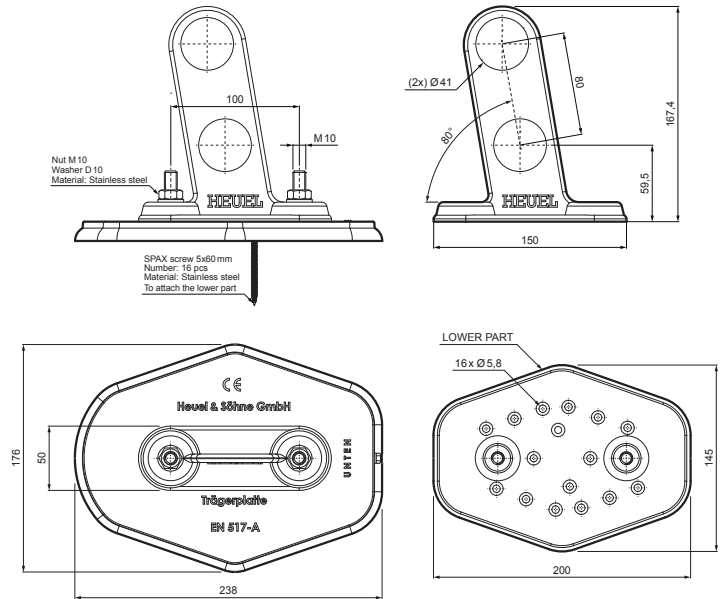


TECHNICAL SHEET

PLATE FOR PIPE 2 HOLES



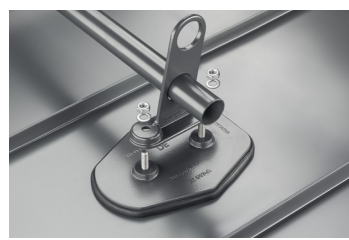
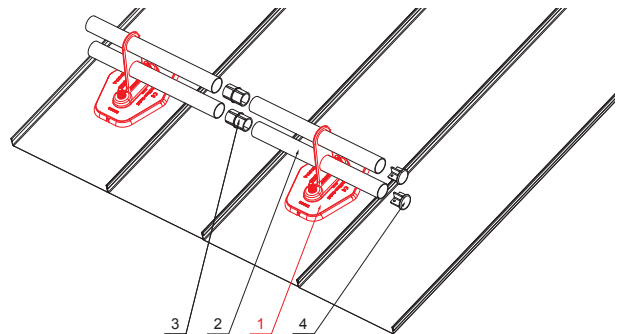
Nut M10
Washer D10
Material: Stainless steel

SIPAX screw 5x60 mm
Number: 16 pcs
Material: Stainless steel
To attach the lower part

LOWER PART

16 x Ø 5,8

- DETAIL:**
1. plate for pipe 2 holes
 2. pipe for snow stopper
 3. PVC pipe coupling black
 4. pipe end cap for snow stopper



ZS-HEU W MPD2



TM Aluminium pre-painted – Testa di Moro – RAL 8028

INDEX	CHANGE	DATE	SIGNATURE	KJG QUALITY	Scan code for 3D model	
MATERIAL BRAND			W.C.	WEIGHT kg	SCALE	
SIZE, SEMI-FINISHED PRODUCTS				STN STANDARD	SORTING NUMBER	
AUXILIARY EQUIPMENT				NOTE	POSITION NUMBER	
ELABORATED BY Ing. Kluska M.						
TESTED BY						
TECHNOLOGIST		TECHNOLOGIST		OLD DRAWING	DRAWING NUMBER	
NAME			Plate for pipe 2 holes		ZS-HEU W MPD2	
			Number of sheets		Sheet	

Created: 04.06.2026 07:16:58

Technical changes reserved