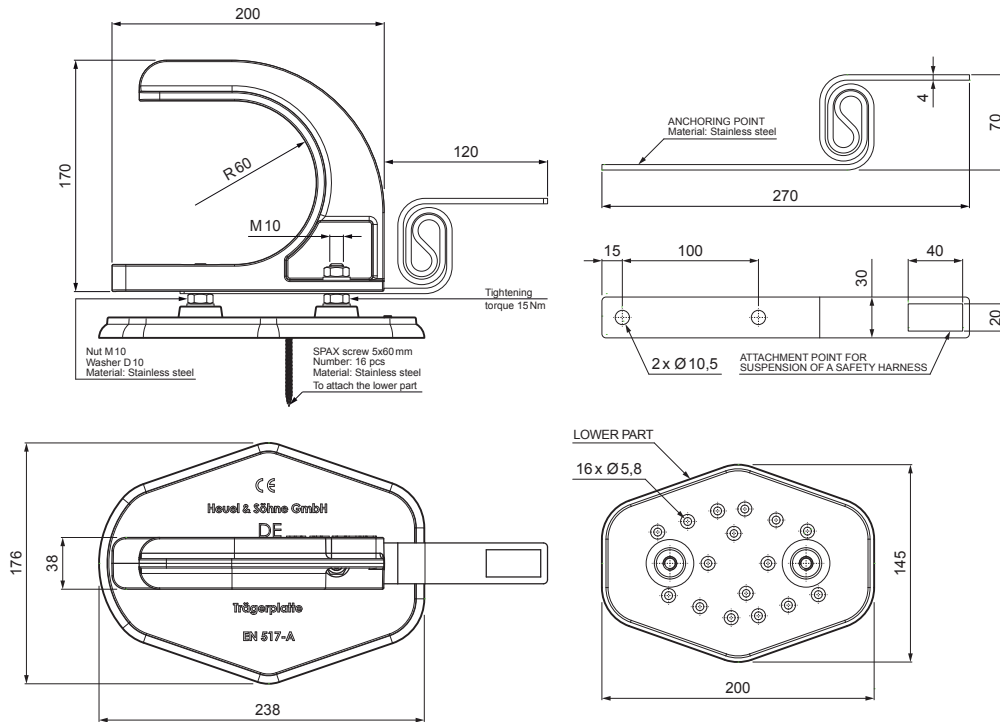


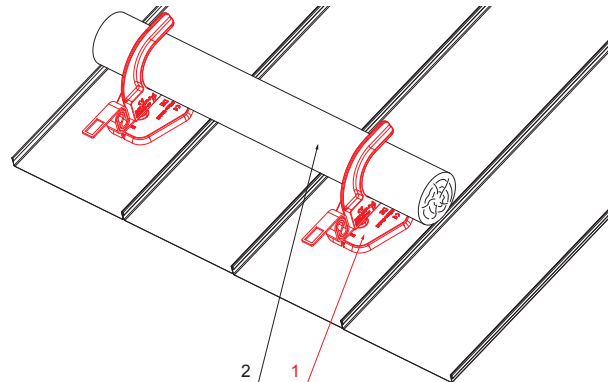
TECHNICAL SHEET

MOUNTING PLATE HOLDER FOR WOODEN LOG SAFETY CATCHA

FALZ-HEU MP DBRP



- DETAIL:**
1. mounting plate holder for wooden log safety catch
 2. wooden log



AN Aluminium pre-painted – Anthracite – RAL 7016

| | | | | | | |
|------------------------------|--------|--------------|---|-----------------------|------------------------|--|
| INDEX | CHANGE | DATE | SIGNATURE | KJG QUALITY | Scan code for 3D model | |
| | | | | | | |
| MATERIAL BRAND | | | W.C. | WEIGHT kg | SCALE | |
| SIZE, SEMI-FINISHED PRODUCTS | | | | | STN STANDARD | |
| AUXILIARY EQUIPMENT | | | | | SORTING NUMBER | |
| ELABORATED BY Ing. Kluska M. | | | | | NOTE | |
| TESTED BY | | | | | POSITION NUMBER | |
| TECHNOLOGIST | | TECHNOLOGIST | | OLD DRAWING | DRAWING NUMBER | |
| NAME | | | Mounting plate holder for wooden log safety catch | | Number of sheets | |
| | | | | | FALZ-HEU MP DBRP Sheet | |

Created: 07.06.2026 09:05:42

Technical changes reserved