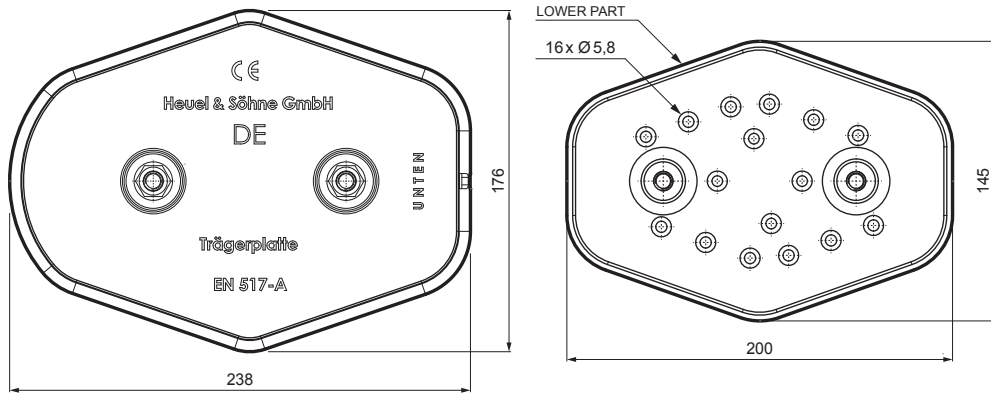
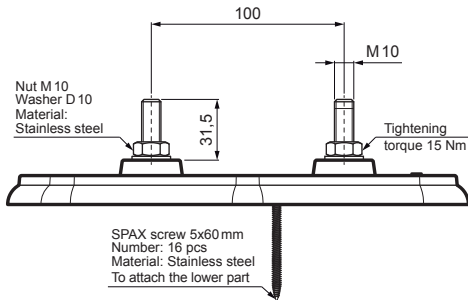


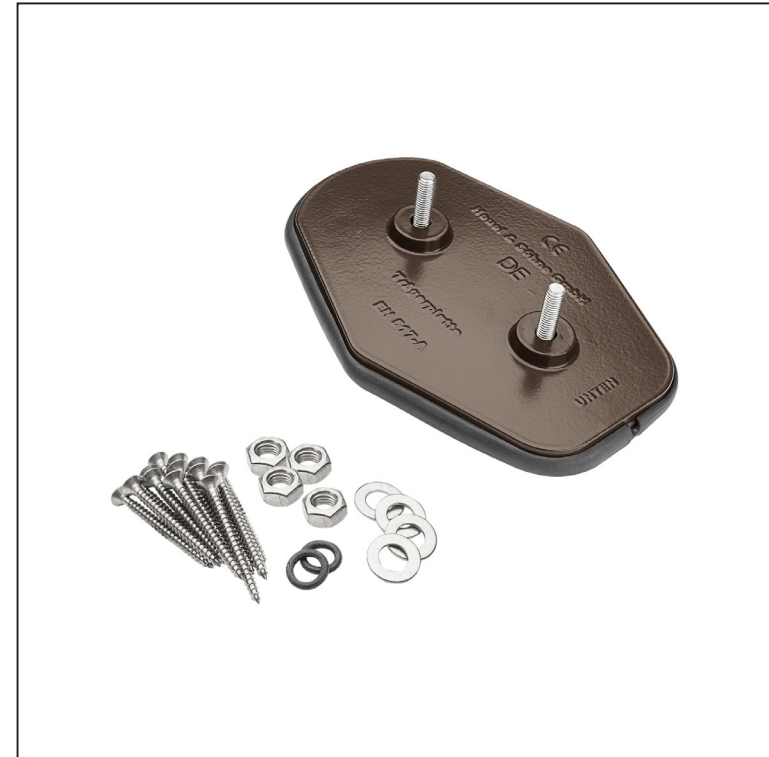
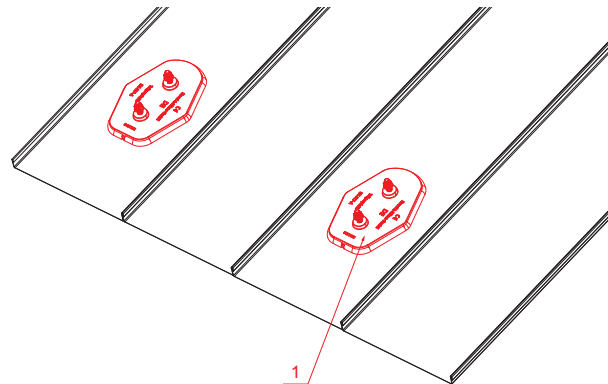
TECHNICAL SHEET

MOUNTING PLATE BASIC

FALZ-HEU MP ZPL



DETAIL:
1. mounting plate basic



TM Aluminium pre-painted – Testa di Moro – RAL 8028

INDEX	CHANGE	DATE	SIGNATURE	KJG QUALITY®	Scan code for 3D model	
MATERIAL BRAND			W.C.	WEIGHT kg	SCALE	
SIZE, SEMI-FINISHED PRODUCTS				STN STANDARD	SORTING NUMBER	
AUXILIARY EQUIPMENT				NOTE	POSITION NUMBER	
ELABORATED BY Ing. Kluska M.						
TESTED BY						
TECHNOLOGIST		TECHNOLOGIST		OLD DRAWING	DRAWING NUMBER	
NAME				Number of sheets		
Mounting plate basic				FALZ-HEU MP ZPL Sheet		

Created: 07.06.2026 21:52:48

Technical changes reserved