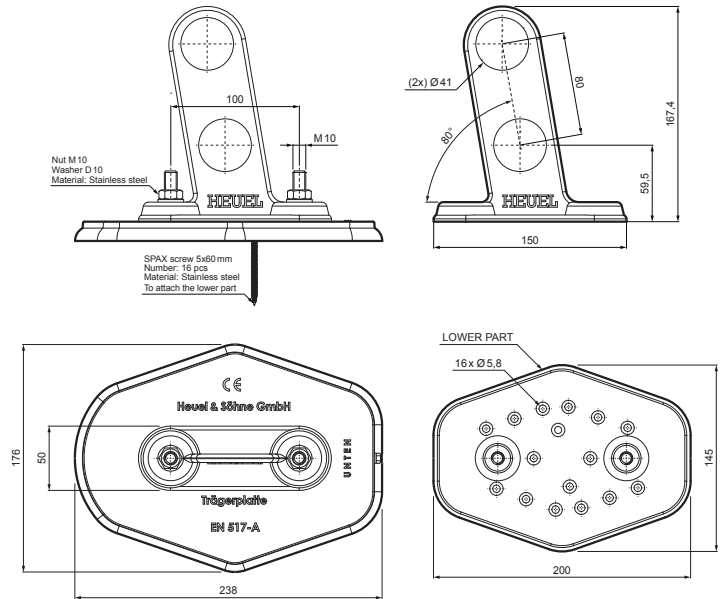


TECHNICAL SHEET

PLATE FOR PIPE 2 HOLES



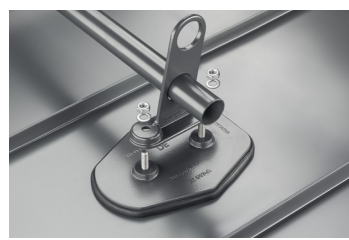
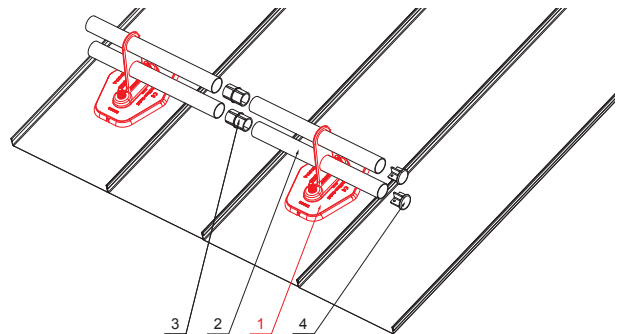
Nut M10
Washer D10
Material: Stainless steel

SIPAX screw 5x60 mm
Number: 16 pcs
Material: Stainless steel
To attach the lower part

LOWER PART

16 x Ø5.8

- DETAIL:**
1. plate for pipe 2 holes
 2. pipe for snow stopper
 3. PVC pipe coupling black
 4. pipe end cap for snow stopper



ZS-HEU W.15 MPD2



TMM Aluminium pre-painted W.15 – Testa di Moro W.15 – RAL 8028

INDEX CHANGE	DATE		SIGNATURE	KJG QUALITY	Scan code for 3D model	QR CODE
	DATE					
MATERIAL BRAND			W.C.	WEIGHT kg	SCALE	
SIZE, SEMI-FINISHED PRODUCTS			STN STANDARD		SORTING NUMBER	
AUXILIARY EQUIPMENT			NOTE		POSITION NUMBER	
ELABORATED BY Ing. Kluska M.			OLD DRAWING		DRAWING NUMBER	
TESTED BY			TECHNOLOGIST		DRAWING NUMBER	
NAME			Plate for pipe 2 holes		Number of sheets	
					ZS-HEU W.15 MPD2 Sheet	

Created: 06.06.2026 00:09:57

Technical changes reserved