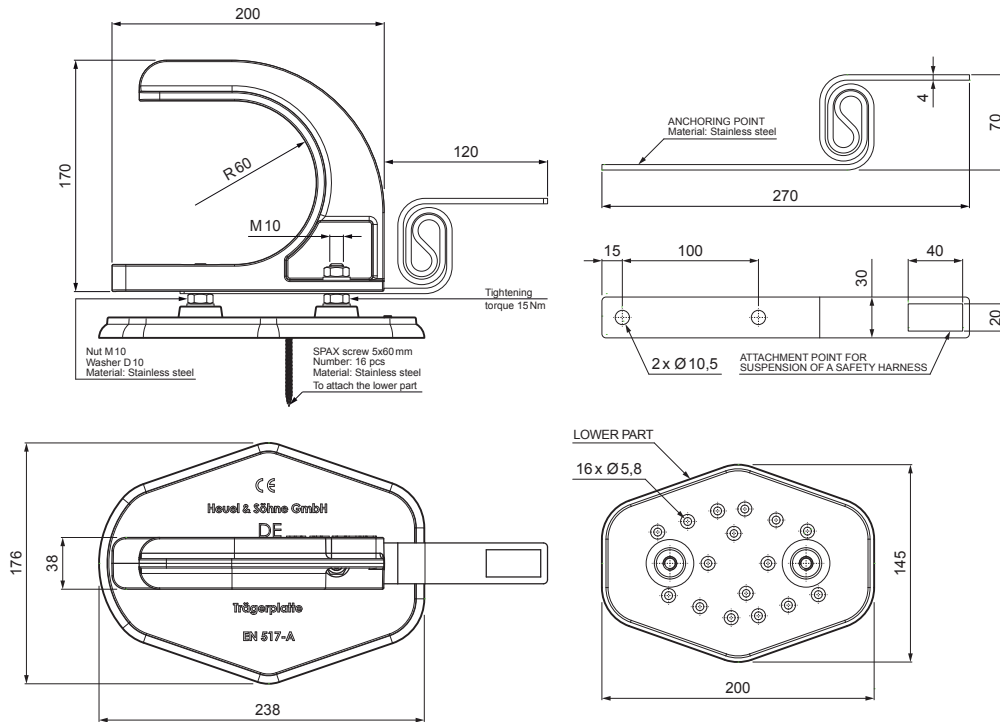


TECHNICAL SHEET

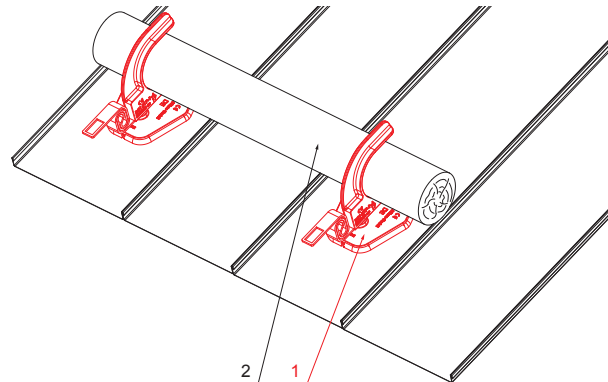
# MOUNTING PLATE HOLDER FOR WOODEN LOG SAFETY CATCHA

# FALZ-HEU MP DBRP



**DETAIL:**

1. mounting plate holder for wooden log safety catch
2. wooden log



**TMM** Aluminium pre-painted W.15 – Testa di Moro W.15 – RAL 8028

INDEX	CHANGE	DATE	SIGNATURE	<b>KJG</b> QUALITY	Scan code for 3D model	
MATERIAL BRAND			W.C.	WEIGHT kg	SCALE	
SIZE, SEMI-FINISHED PRODUCTS						
AUXILIARY EQUIPMENT				STN STANDARD	SORTING NUMBER	
ELABORATED BY Ing. Kluska M.				NOTE	POSITION NUMBER	
TESTED BY						
TECHNOLOGIST		TECHNOLOGIST		OLD DRAWING	DRAWING NUMBER	
NAME				Number of sheets		
Mounting plate holder for wooden log safety catch				FALZ-HEU MP DBRP Sheet		

Created: 11.04.2026 13:59:40

Technical changes reserved