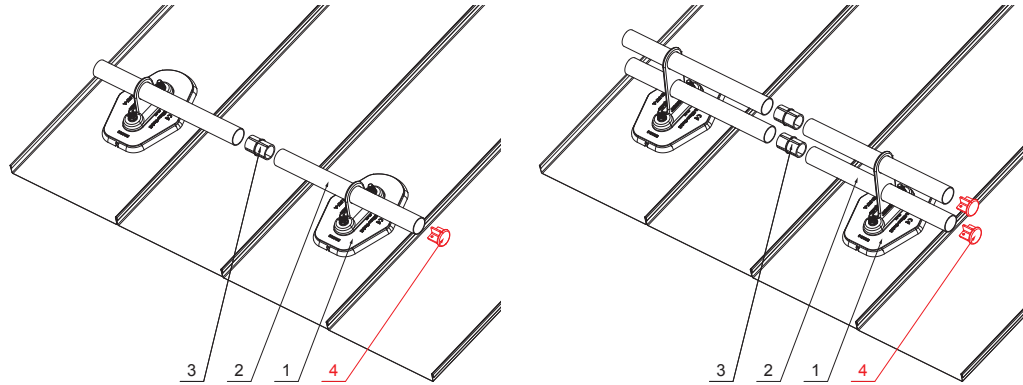
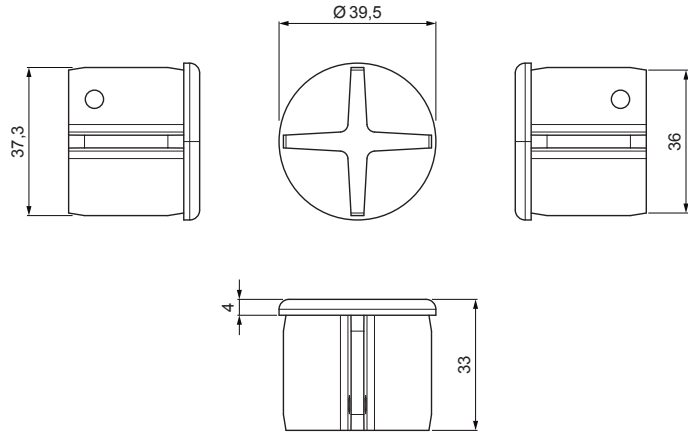


TECHNICAL SHEET

# PIPE END CAP FOR SNOW STOPPER

# FALZ-HEU MP RK 40



**DETAIL:**

1. plate for pipe 1 hole
2. pipe for snow stopper
3. PVC pipe coupling black
4. pipe end cap for snow stopper

**DETAIL:**

1. plate for pipe 2 holes
2. pipe for snow stopper
3. PVC pipe coupling black
4. pipe end cap for snow stopper



**TMM** Aluminium pre-painted W.15 – Testa di Moro W.15 – RAL 8028

|                              |        |              |           |                               |                        |  |
|------------------------------|--------|--------------|-----------|-------------------------------|------------------------|--|
| INDEX                        | CHANGE | DATE         | SIGNATURE | <b>KJG</b><br>QUALITY®        | Scan code for 3D model |  |
|                              |        |              |           |                               |                        |  |
| MATERIAL BRAND               |        |              | W.C.      | WEIGHT kg                     | SCALE                  |  |
| SIZE, SEMI-FINISHED PRODUCTS |        |              |           |                               | STN STANDARD           |  |
| AUXILIARY EQUIPMENT          |        |              |           |                               | SORTING NUMBER         |  |
| ELABORATED BY Ing. Kluska M. |        |              |           |                               | NOTE                   |  |
| TESTED BY                    |        |              |           |                               | POSITION NUMBER        |  |
| TECHNOLOGIST                 |        | TECHNOLOGIST |           | OLD DRAWING                   | DRAWING NUMBER         |  |
| NAME                         |        |              |           | Pipe end cap for snow stopper |                        |  |
| Number of sheets             |        |              |           | FALZ-HEU MP RK 40             |                        |  |
|                              |        |              |           | Sheet                         |                        |  |

Created: 04.06.2026 06:17:04

Technical changes reserved