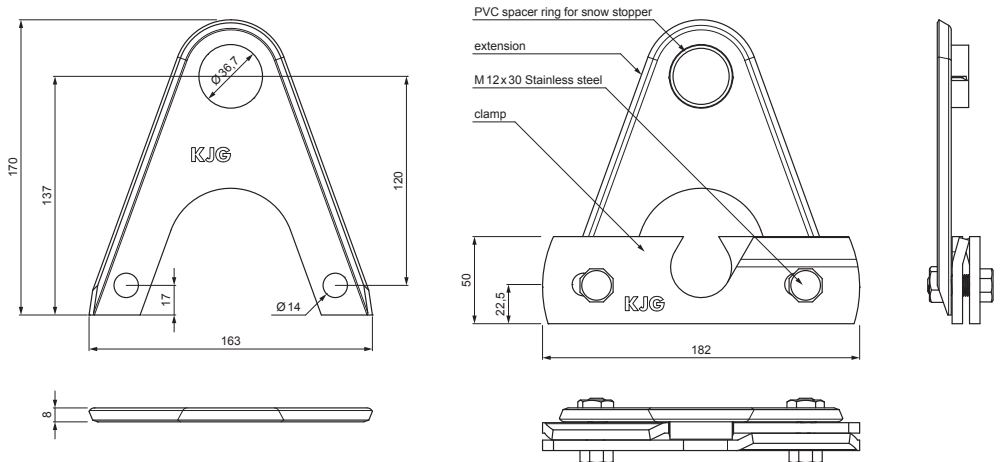
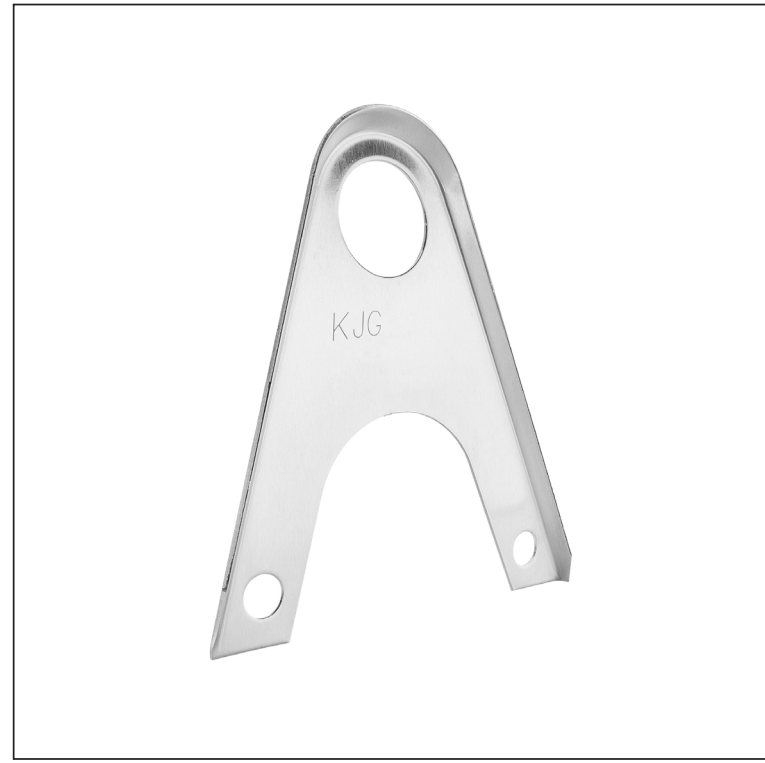
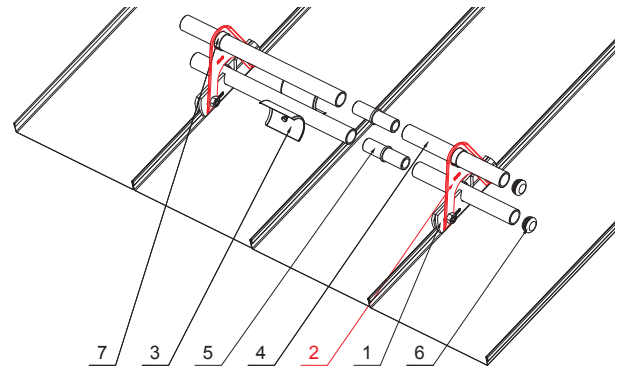


TECHNICAL SHEET

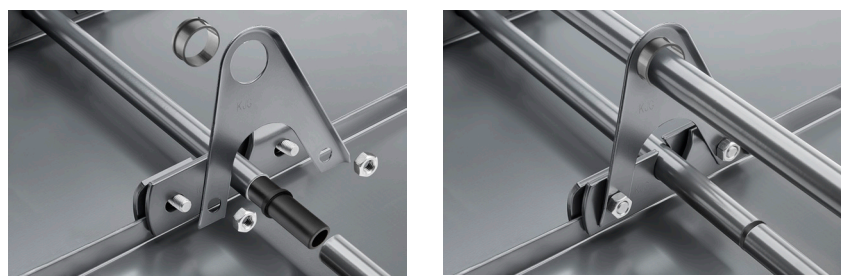
EXTENSION FOR SNOW STOPPER PIPE HOLDER FOR FALZ ZS-WZSF ND/2






- DETAIL:**
1. snow stopper clamp for FALZ
 2. extension for snow stopper pipe holder for FALZ
 3. ice breaker for snow stopper for
 4. pipe for snow stopper
 5. PVC pipe coupling for snow stopper
 6. PVC pipe end cap for snow stopper
 7. PVC spacer ring for snow stopper



W Aluminium – Natur



INDEX	CHANGE	DATE	SIGNATURE	 	
MATERIAL BRAND			W.C.	WEIGHT kg	SCALE
SIZE, SEMI-FINISHED PRODUCTS			STN STANDARD		SORTING NUMBER
AUXILIARY EQUIPMENT			NOTE		POSITION NUMBER
ELABORATED BY Ing. Kluska M.					
TESTED BY					
TECHNOLOGIST		TECHNOLOGIST	OLD DRAWING		DRAWING NUMBER
NAME			Extension for snow stopper pipe holder for falz		Number of sheets
					ZS-WZSF ND/2
					Sheet 

Created: 04.06.2026 10:04:52

Technical changes reserved