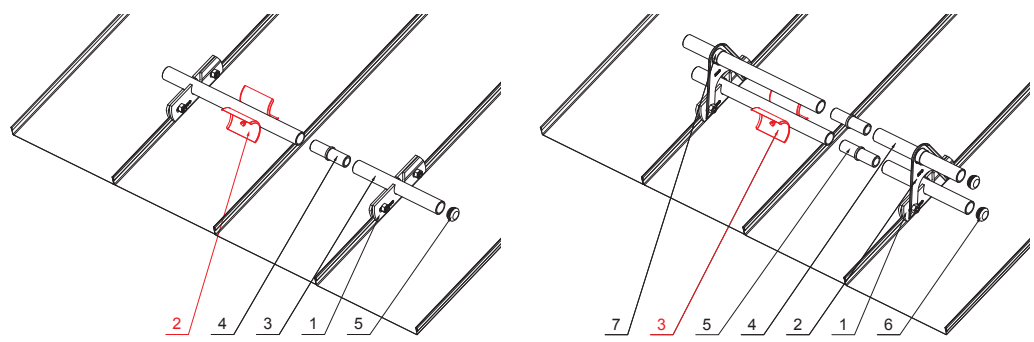
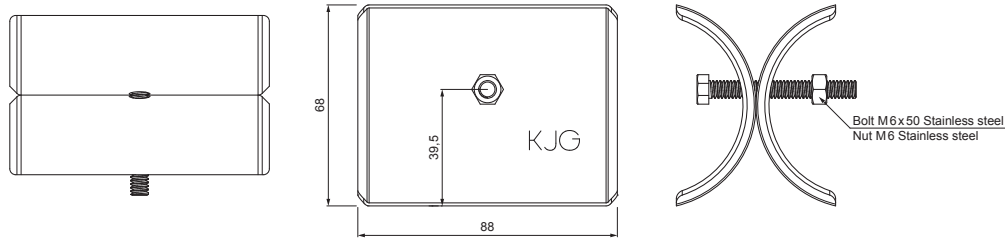


TECHNICAL SHEET

# ICE BREAKER FOR SNOW STOPPER FOR FALZ ZS-WZSF ROLA






- DETAIL:**
1. snow stopper clamp for falz
  2. ice breaker for snow stopper for falz
  3. pipe for snow stopper
  4. PVC pipe coupling for snow stopper
  5. PVC pipe end cap for snow stopper

- DETAIL:**
1. snow stopper clamp for falz
  2. extension for snow stopper pipe holder for falz
  3. ice breaker for snow stopper for falz
  4. pipe for snow stopper
  5. PVC pipe coupling for snow stopper
  6. PVC pipe end cap for snow stopper
  7. PVC spacer ring for snow stopper



**W** Aluminium – Natur

|                                       |      |              |   |   |
|---------------------------------------|------|--------------|---|---|
| INDEX<br>CHANGE                       | DATE | SIGNATURE    |        |  |
|                                       |      |              |   |   |
| MATERIAL BRAND                        |      |              |   |   |
| SIZE, SEMI-FINISHED PRODUCTS          |      |              |   |   |
| AUXILIARY EQUIPMENT                   |      |              | STN STANDARD  |   |
| ELABORATED BY Ing. Kluska M.          |      |              | NOTE  |   |
| TESTED BY                             |      |              | SORTING NUMBER  |   |
| TECHNOLOGIST                          |      | TECHNOLOGIST | POSITION NUMBER   |   |
| NAME                                  |      |              | DRAWING NUMBER  |   |
| Ice breaker for snow stopper for falz |      |              | ZS-WZSF ROLA  |   |
| Number of sheets                      |      |              | Sheet  |   |

Created: 04.06.2026 02:07:09

Technical changes reserved