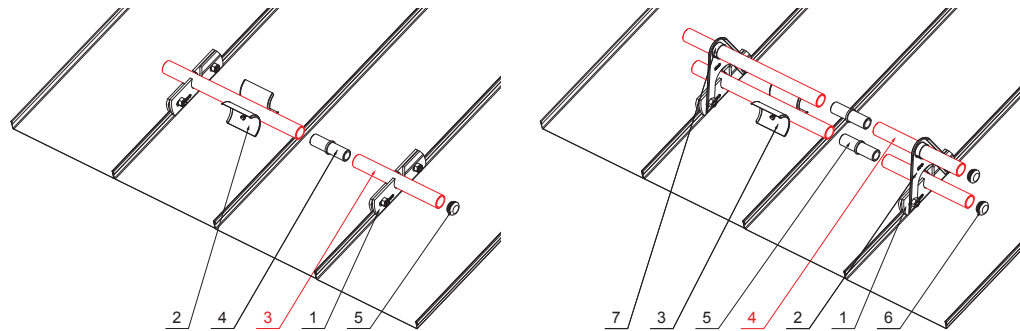
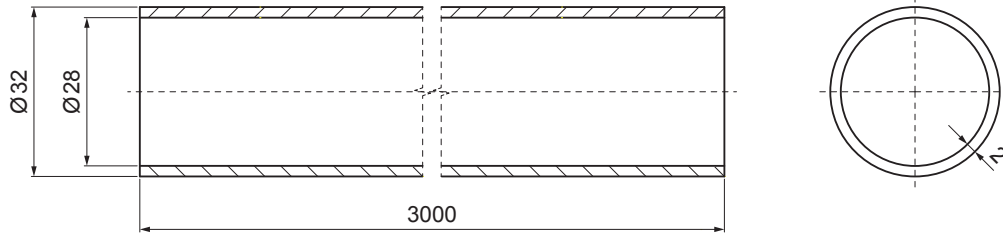


TECHNICAL SHEET

PIPE FOR SNOW STOPPER

ZS-WZSF RU 32



DETAIL:





1. snow stopper clamp for falz
2. ice breaker for snow stopper for falz
3. pipe for snow stopper
4. PVC pipe coupling for snow stopper
5. PVC pipe end cap for snow stopper

DETAIL:

1. snow stopper clamp for falz
2. extension for snow stopper pipe holder for falz
3. ice breaker for snow stopper for falz
4. pipe for snow stopper
5. PVC pipe coupling for snow stopper
6. PVC pipe end cap for snow stopper
7. PVC spacer ring for snow stopper



W Aluminium – Natur

INDEX	CHANGE	DATE	SIGNATURE			
MATERIAL BRAND			W.C.	WEIGHT kg	SCALE	
SIZE, SEMI-FINISHED PRODUCTS				STN STANDARD	SORTING NUMBER	
AUXILIARY EQUIPMENT				NOTE	POSITION NUMBER	
ELABORATED BY Ing. Kluska M.				OLD DRAWING	DRAWING NUMBER	
TESTED BY			TECHNOLOGIST			
NAME			Pipe for snow stopper		Number of sheets	ZS-WZSF RU 32 Sheet 

Created: 04.06.2026 03:05:01

Technical changes reserved