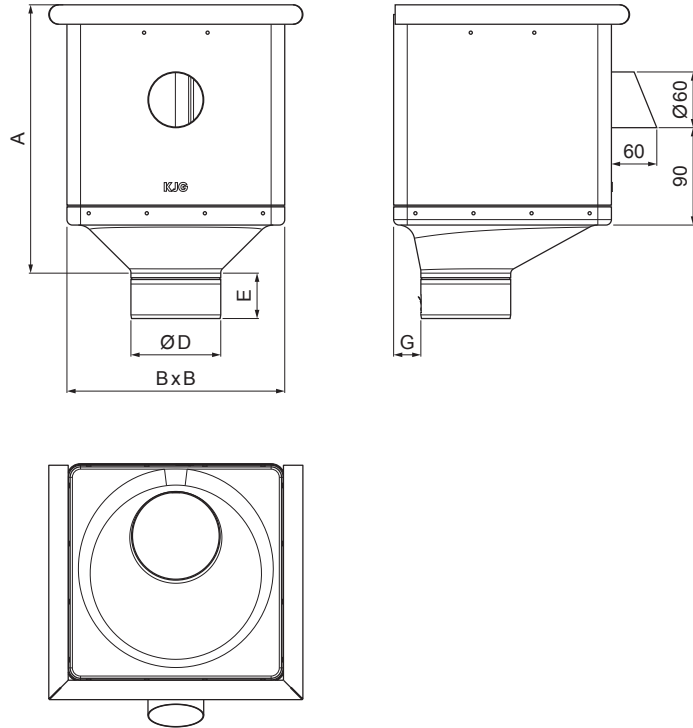


TECHNICAL SHEET


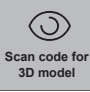


HOPPER CUBIC ECCENTRIC WITH OVERFLOW PIPE

P-PKLZ KXV



PS Galvanized steel prepainted – Dusty grey – RAL 7037

Dimensions [mm]					
Nominal size	A	B	D	E	G
80	283	240	79	44	30
100	283	240	99	50	30
120	283	240	119	60	30

INDEX	CHANGE	DATE	SIGNATURE			
MATERIAL BRAND			W.C.	WEIGHT kg	SCALE	
SIZE, SEMI-FINISHED PRODUCTS			STN STANDARD		SORTING NUMBER	
AUXILIARY EQUIPMENT			NOTE		POSITION NUMBER	
ELABORATED BY Ing. Kluska M.			OLD DRAWING		DRAWING NUMBER	
TESTED BY			TECHNOLOGIST		DRAWING NUMBER	
NAME			Hopper CUBIC ECCENTRIC with overflow pipe		P-PKLZ KXV	
			Number of sheets		Sheet 	

Created: 05.06.2026 16:57:46

Technical changes reserved