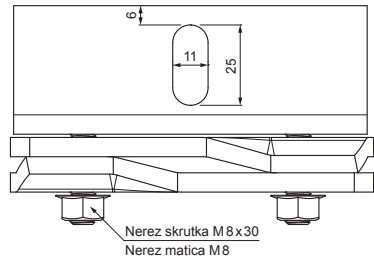
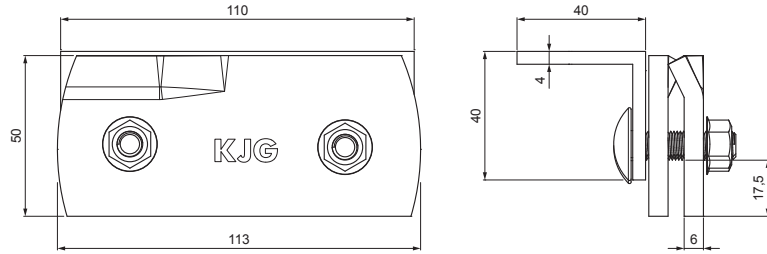
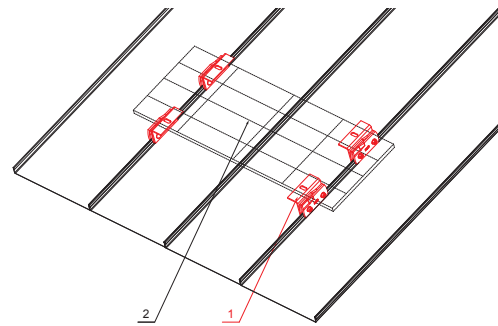
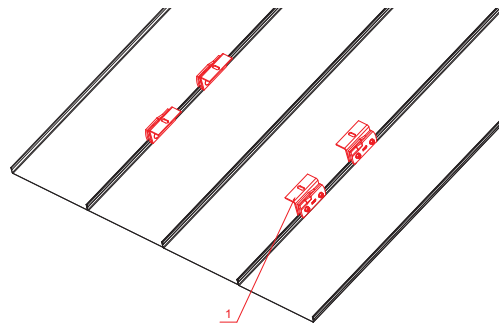


TECHNICAL SHEET

STANDING SEAM ROOF CLAMP FOR SOLAR PANEL FALZ-WDS 40/40






W Aluminium – Natur



DETAIL:
1. standing seam roof clamp for solar panel

DETAIL:
1. standing seam roof clamp for solar panel
2. solar panel

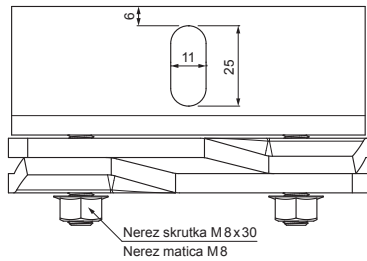
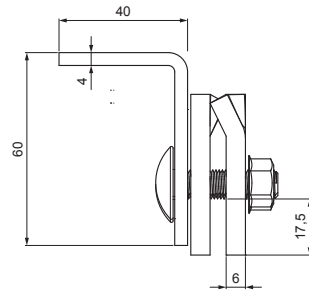
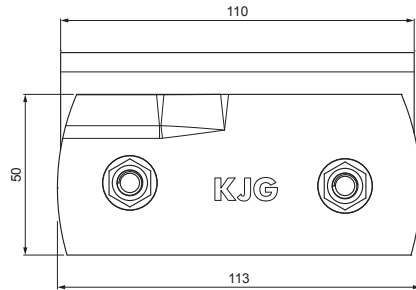
INDEX	CHANGE	DATE	SIGNATURE	 	
MATERIAL BRAND			W.C.	WEIGHT kg	SCALE
SIZE, SEMI-FINISHED PRODUCTS				STN STANDARD	SORTING NUMBER
AUXILIARY EQUIPMENT				NOTE	POSITION NUMBER
ELABORATED BY Ing. Kluska M.					
TESTED BY				OLD DRAWING	DRAWING NUMBER
TECHNOLOGIST			TECHNOLOGIST		
NAME			Standing seam roof clamp for solar panel		Number of sheets
					FALZ-WDS 40/40
					Sheet 

Created: 06.06.2026 07:19:07

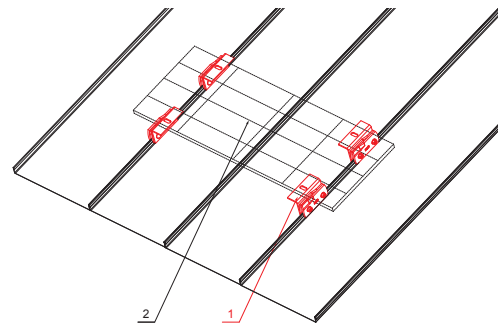
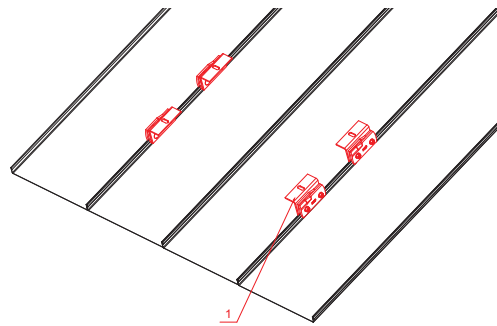
Technical changes reserved

TECHNICAL SHEET

STANDING SEAM ROOF CLAMP FOR SOLAR PANEL FALZ-WDS 60/40






W Aluminium – Natur



DETAIL:
1. standing seam roof clamp for solar panel

DETAIL:
1. standing seam roof clamp for solar panel
2. solar panel

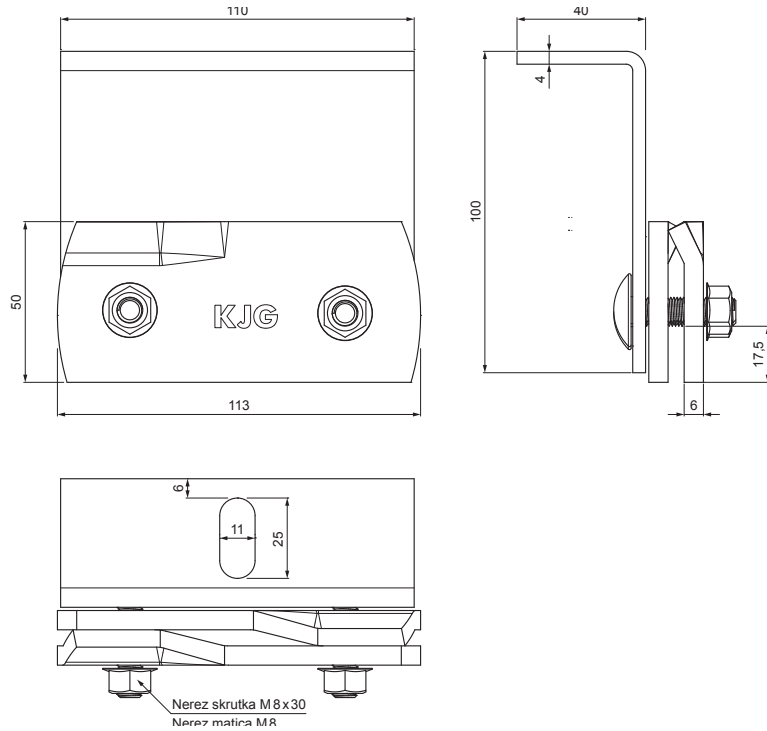
INDEX	CHANGE	DATE	SIGNATURE	 	
MATERIAL BRAND			W.C.	WEIGHT kg	SCALE
SIZE, SEMI-FINISHED PRODUCTS				STN STANDARD	SORTING NUMBER
AUXILIARY EQUIPMENT				NOTE	POSITION NUMBER
ELABORATED BY Ing. Kluska M.					
TESTED BY				OLD DRAWING	DRAWING NUMBER
TECHNOLOGIST			TECHNOLOGIST		
NAME			Standing seam roof clamp for solar panel		Number of sheets
					FALZ-WDS 60/40
					Sheet 

Created: 06.06.2026 07:19:07

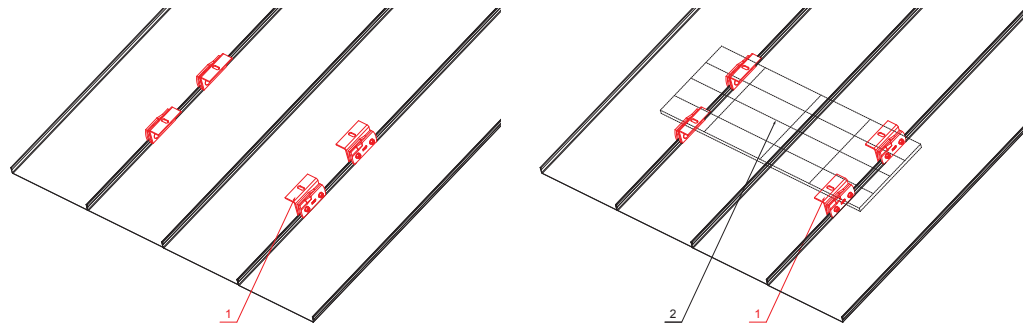
Technical changes reserved

TECHNICAL SHEET

STANDING SEAM ROOF CLAMP FOR SOLAR PANEL FALZ-WDS 100/40







W Aluminium – Natur



DETAIL:
1. standing seam roof clamp for solar panel

DETAIL:
1. standing seam roof clamp for solar panel
2. solar panel

INDEX	CHANGE	DATE	SIGNATURE			
MATERIAL BRAND			W.C.	WEIGHT kg	SCALE	
SIZE, SEMI-FINISHED PRODUCTS				STN STANDARD	SORTING NUMBER	
AUXILIARY EQUIPMENT				NOTE	POSITION NUMBER	
ELABORATED BY Ing. Kluska M.						
TESTED BY						
TECHNOLOGIST		TECHNOLOGIST		OLD DRAWING	DRAWING NUMBER	
NAME			Standing seam roof clamp for solar panel		Number of sheets	
					FALZ-WDS 100/40 Sheet 	

Created: 06.06.2026 07:19:07

Technical changes reserved