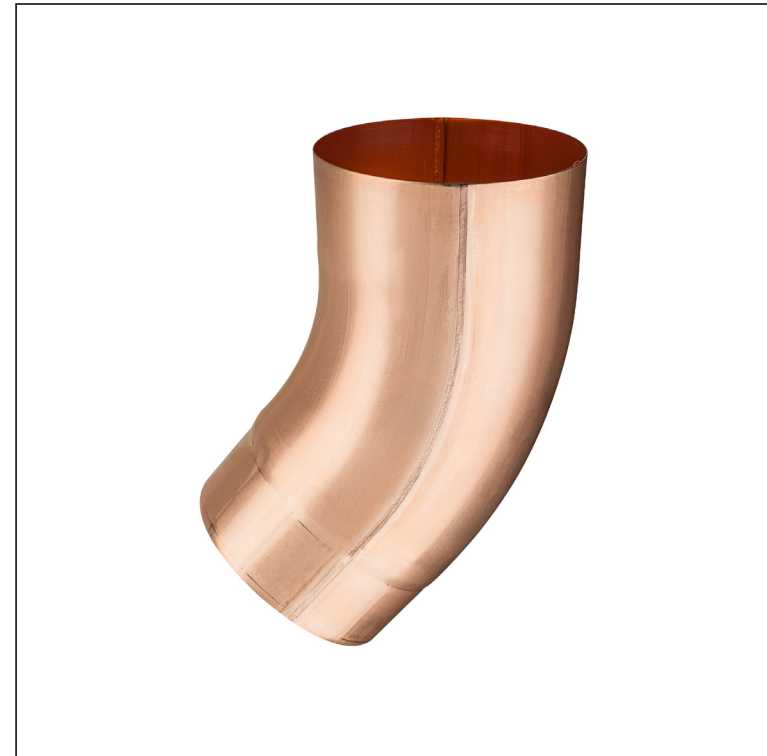
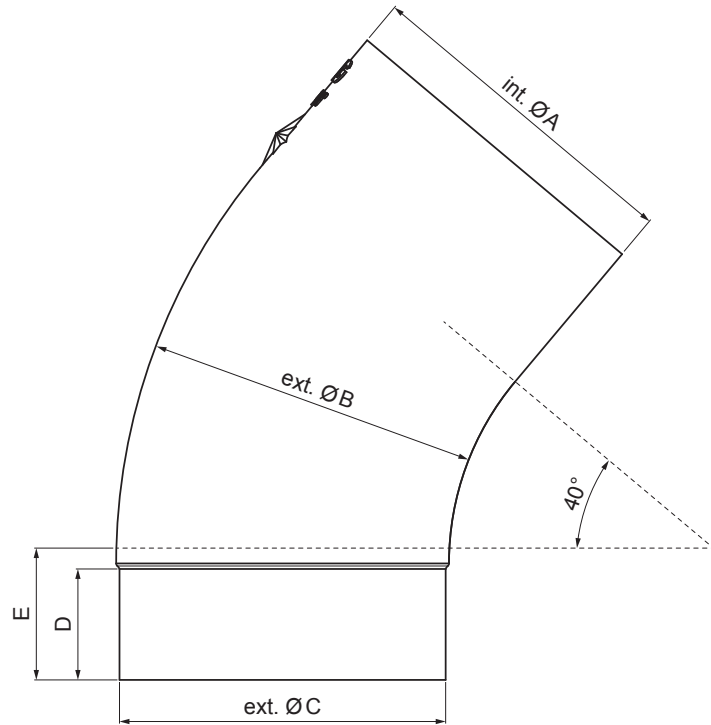


TECHNICAL SHEET




ELBOW BLIND 40°

M-MKT



M Copper – Natur

| Dimensions [mm] | | | | | |
|-----------------|-------|-------|-------|----|----|
| Nominal size | Ø A | Ø B | Ø C | D | E |
| 80 | 80,4 | 79 | 76,9 | 28 | 40 |
| 100 | 100,4 | 99,0 | 96,8 | 35 | 50 |
| 120 | 120,3 | 119,0 | 116,7 | 42 | 60 |

| | | | | | |
|------------------------------|--------|--------------|-----------------|---|---|
| INDEX | CHANGE | DATE | SIGNATURE |   | |
| | | | | | |
| MATERIAL BRAND | | | W.C. | WEIGHT kg | SCALE |
| SIZE, SEMI-FINISHED PRODUCTS | | | | STN STANDARD | SORTING NUMBER |
| AUXILIARY EQUIPMENT | | | | NOTE | POSITION NUMBER |
| ELABORATED BY Ing. Kluska M. | | | | OLD DRAWING | DRAWING NUMBER |
| TESTED BY | | | | | |
| TECHNOLOGIST | | TECHNOLOGIST | | Number of sheets | M-MKT Sheet  |
| NAME | | | Elbow blind 40° | | |

Created: 05.06.2026 11:29:16

Technical changes reserved