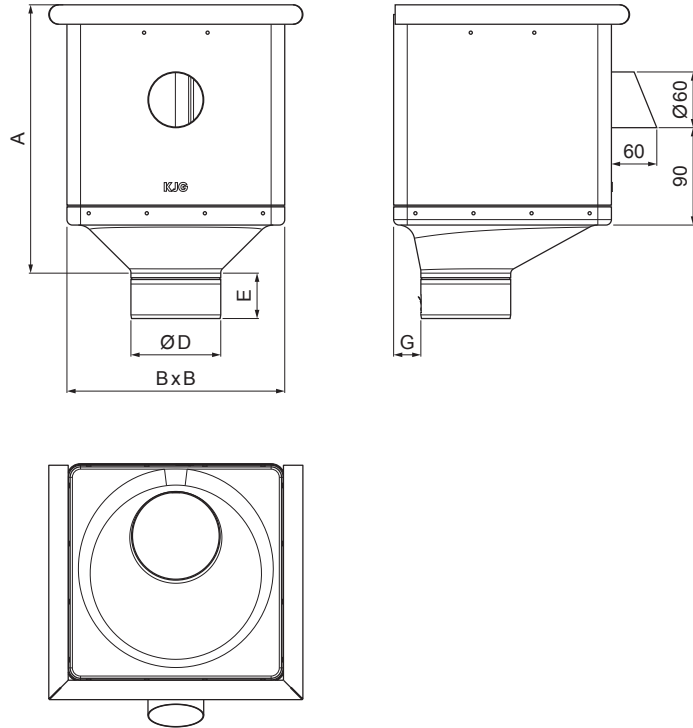




TECHNICAL SHEET

HOPPER CUBIC ECCENTRIC WITH OVERFLOW PIPE

P-PKLZ KXV



MM Galvanized steel prepainted – Metallic copper – RAL extra

INDEX	CHANGE	DATE	SIGNATURE	KJG QUALITY®	Scan code for 3D model 
MATERIAL BRAND			W.C.	WEIGHT kg	SCALE
SIZE, SEMI-FINISHED PRODUCTS				STN STANDARD	SORTING NUMBER
AUXILIARY EQUIPMENT				NOTE	POSITION NUMBER
ELABORATED BY Ing. Kluska M.					
TESTED BY					
TECHNOLOGIST		TECHNOLOGIST		OLD DRAWING	DRAWING NUMBER
NAME Hopper CUBIC ECCENTRIC with overflow pipe				Number of sheets	P-PKLZ KXV Sheet 

Created: 06.06.2026 15:29:45

Technical changes reserved

Dimensions [mm]					
Nominal size	A	B	D	E	G
80	283	240	79	44	30
100	283	240	99	50	30
120	283	240	119	60	30