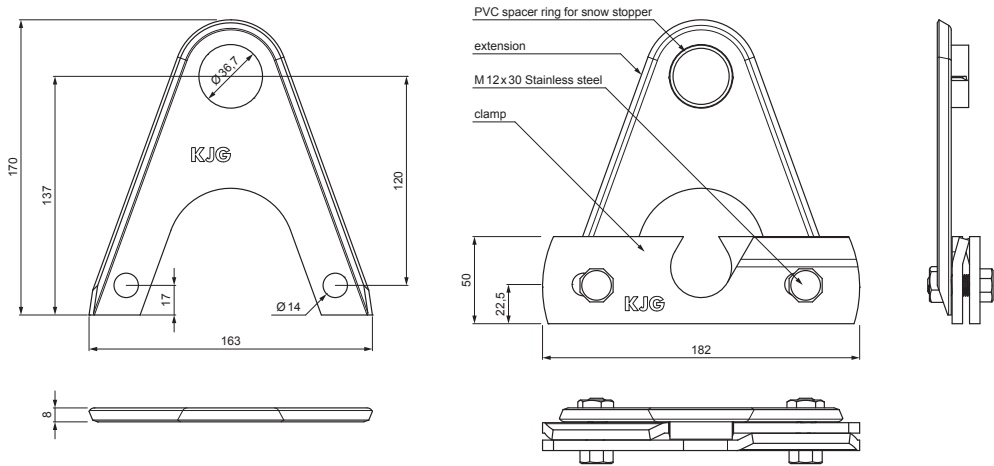


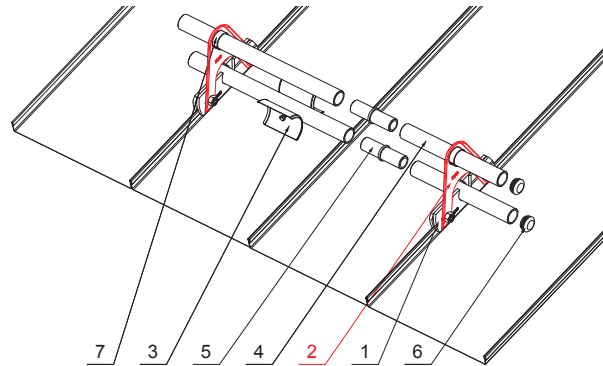
TECHNICAL SHEET

# EXTENSION FOR SNOW STOPPER PIPE HOLDER FOR FALZ ZS-WZSF ND/2



**DETAIL:**

1. snow stopper clamp for FALZ
2. extension for snow stopper pipe holder for FALZ
3. ice breaker for snow stopper for
4. pipe for snow stopper
5. PVC pipe coupling for snow stopper
6. PVC pipe end cap for snow stopper
7. PVC spacer ring for snow stopper



**MOT** Color : Galvanized steel preprepared – Gentian blue – RAL 5010  
Material: Aluminium – Natur

INDEX	CHANGE	DATE	SIGNATURE	<b>KJG</b> QUALITY®	Scan code for 3D model	
MATERIAL BRAND			W.C.	WEIGHT kg	SCALE	
SIZE, SEMI-FINISHED PRODUCTS				STN STANDARD	SORTING NUMBER	
AUXILIARY EQUIPMENT				NOTE	POSITION NUMBER	
ELABORATED BY Ing. Kluska M.						
TESTED BY						
TECHNOLOGIST		TECHNOLOGIST		OLD DRAWING	DRAWING NUMBER	
NAME				Extension for snow stopper pipe holder for falz		
				Number of sheets	ZS-PZSF ND/2	Sheet

Created: 04.06.2026 02:59:05

Technical changes reserved

