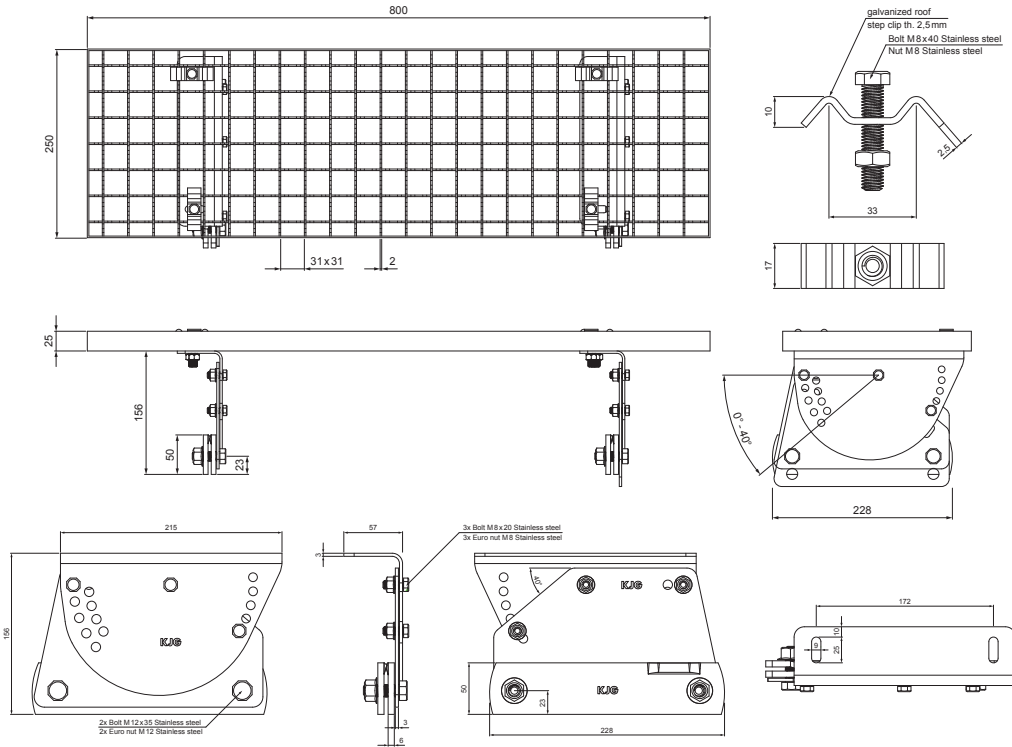


TECHNICAL SHEET

# ROOF STEP-SET – SET 800x250

# FALZ-PDACH

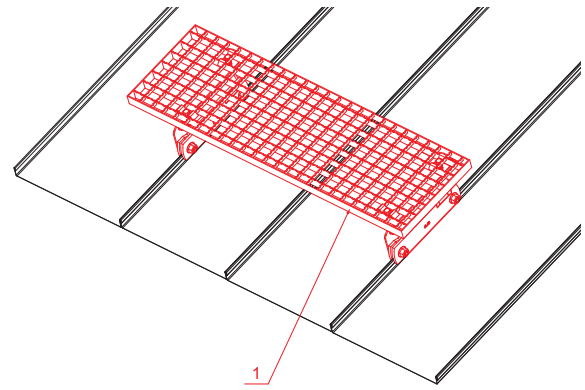


**PACKAGING – SET:**

- galvanised steel roof step 800x250 – 1 pcs
- aluminium roof step holder – 2 pcs
- bolt M12x35 Stainless steel – 4 pcs
- nut M12 Stainless steel – 4 pcs
- bolt M8x20 Stainless steel – 6 pcs
- Euro nut M8 Stainless steel – 6 pcs
- galvanised roof step clip – 4 pcs
- bolt M8x40 Stainless steel – 4 pcs
- nut M8 Stainless steel – 4 pcs

**DETAIL:**

1. roof step-set 800x250



**AN** Galvanized steel prepainted – Anthracite – RAL 7016

INDEX	CHANGE	DATE	SIGNATURE		
MATERIAL BRAND			W.C.	WEIGHT kg	SCALE
SIZE, SEMI-FINISHED PRODUCTS				STN STANDARD	SORTING NUMBER
AUXILIARY EQUIPMENT				NOTE	POSITION NUMBER
ELABORATED BY Ing. Kluska M.					
TESTED BY					
TECHNOLOGIST		TECHNOLOGIST		OLD DRAWING	DRAWING NUMBER
NAME				Roof step-set 800 x 250	
				Number of sheets	FALZ-PDACH Sheet

Created: 06.06.2026 03:37:20

Technical changes reserved