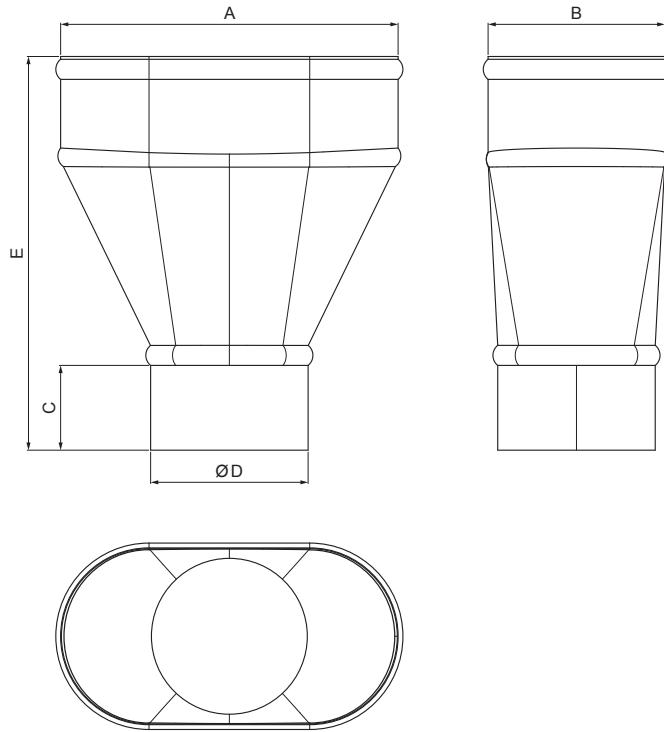




TECHNICAL SHEET

# CENTRAL HOPPER

# IT-KLZF C



**AN** Galvanized steel prepainted – Anthracite – RAL 7016

INDEX	CHANGE	DATE	SIGNATURE	<b>KJG</b> QUALITY®	Scan code for 3D model 
MATERIAL BRAND			W.C.	WEIGHT kg	SCALE
SIZE, SEMI-FINISHED PRODUCTS			STN STANDARD		SORTING NUMBER
AUXILIARY EQUIPMENT			NOTE		POSITION NUMBER
ELABORATED BY Ing. Kluska M.			OLD DRAWING		DRAWING NUMBER
TESTED BY			TECHNOLOGIST		
TECHNOLOGIST			NAME		
			Central hopper		
			Number of sheets		IT-KLZF C Sheet 

Created: 05.06.2026 13:27:26

Technical changes reserved

Dimensions [mm]					
Nominal size	A	B	C	ØD	E
60	130	66	55	60	210
80	170	90	55	80	245
100	210	110	55	100	245
120	250	130	55	120	270