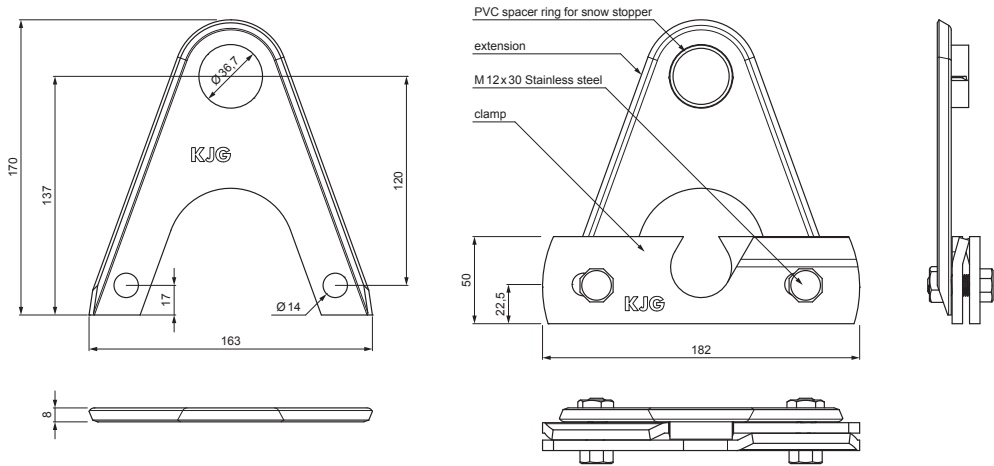


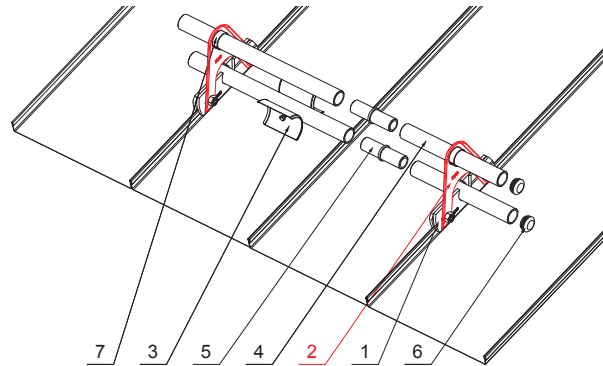
TECHNICAL SHEET

# EXTENSION FOR SNOW STOPPER PIPE HOLDER FOR FALZ ZS-WZSF ND/2



**DETAIL:**

1. snow stopper clamp for FALZ
2. extension for snow stopper pipe holder for FALZ
3. ice breaker for snow stopper for
4. pipe for snow stopper
5. PVC pipe coupling for snow stopper
6. PVC pipe end cap for snow stopper
7. PVC spacer ring for snow stopper



**ZH** Aluminium pre-painted – Brown grey – RAL 7013

INDEX	CHANGE	DATE	SIGNATURE	<b>KJG</b> QUALITY	Scan code for 3D model	
MATERIAL BRAND			W.C.	WEIGHT kg	SCALE	
SIZE, SEMI-FINISHED PRODUCTS				STN STANDARD	SORTING NUMBER	
AUXILIARY EQUIPMENT				NOTE	POSITION NUMBER	
ELABORATED BY Ing. Kluska M.						
TESTED BY						
TECHNOLOGIST		TECHNOLOGIST		OLD DRAWING	DRAWING NUMBER	
NAME				Extension for snow stopper pipe holder for falz		
Number of sheets			ZS-WZSF ND/2		Sheet	

Created: 06.06.2026 18:18:13

Technical changes reserved