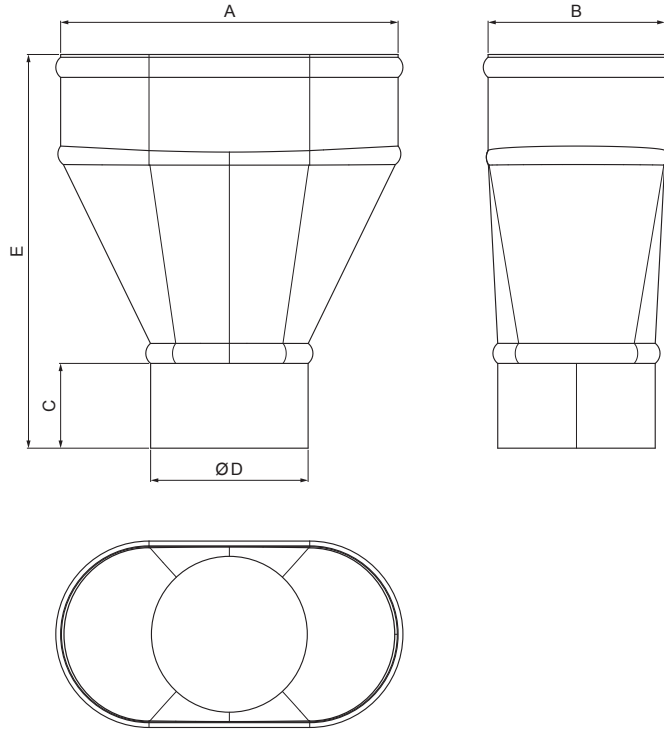


TECHNICAL SHEET




# CENTRAL HOPPER

# IT-KLZF C



**BH** Galvanized steel pre-painted – White aluminum – RAL 9006

Dimensions [mm]					
Nominal size	A	B	C	ØD	E
60	130	66	55	60	210
80	170	90	55	80	245
100	210	110	55	100	245
120	250	130	55	120	270

INDEX	CHANGE	DATE	SIGNATURE		
MATERIAL BRAND			W.C.	WEIGHT kg	SCALE
SIZE, SEMI-FINISHED PRODUCTS					
AUXILIARY EQUIPMENT			STN STANDARD		SORTING NUMBER
ELABORATED BY Ing. Kluska M.			NOTE		POSITION NUMBER
TESTED BY					
TECHNOLOGIST		TECHNOLOGIST	OLD DRAWING		DRAWING NUMBER
NAME			Central hopper		
			Number of sheets		IT-KLZF C
					Sheet 

Created: 30.05.2026 19:56:27

Technical changes reserved