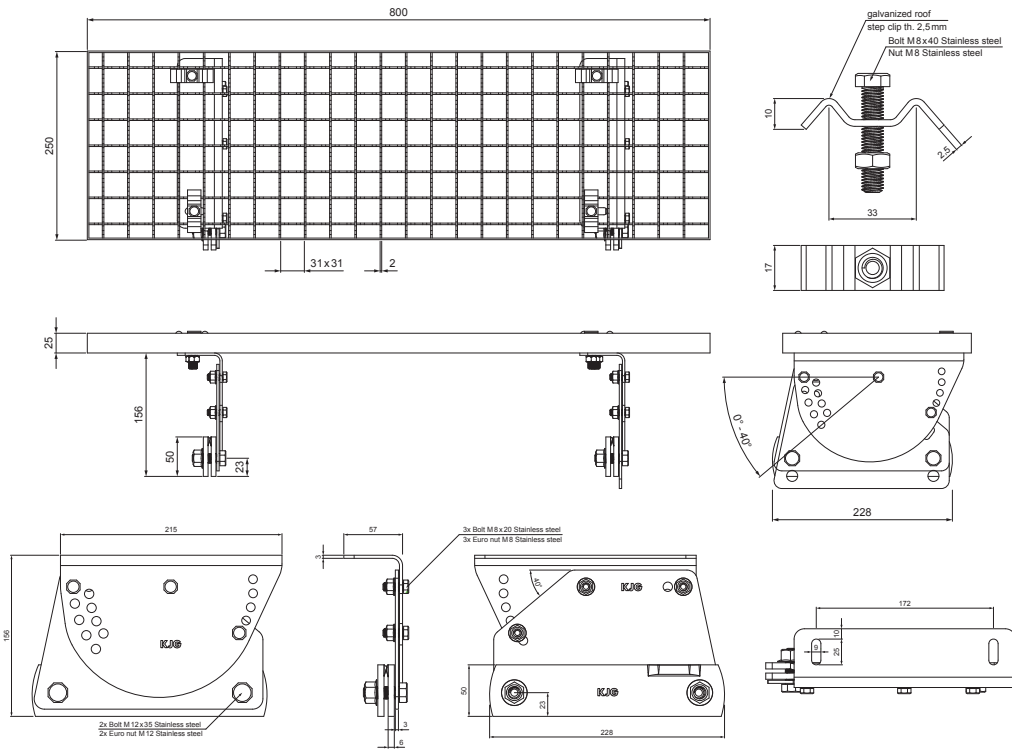


TECHNICAL SHEET

# ROOF STEP-SET – SET 800x250

# FALZ-WDACH

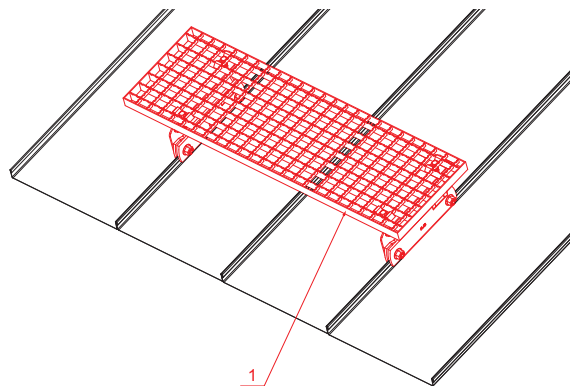


**PACKAGING – SET:**




- galvanized steel roof step 800x250 – 1 pcs
- aluminium roof step holder – 2 pcs
- bolt M 12x35 Stainless steel – 4 pcs
- nutt M 12 Stainless steel – 4 pcs
- bolt M 8x20 Stainless steel – 6 pcs
- Euro nut M 8 Stainless steel – 6 pcs
- galvanized roof step clip – 4 pcs
- bolt M 8x40 Stainless steel – 4 pcs
- nut M 8 Stainless steel – 4 pcs

**DETAIL:**

- 1. roof step-set 800x250



**AN** Aluminium pre-painted – Anthracite – RAL 7016

INDEX	CHANGE	DATE	SIGNATURE			
MATERIAL BRAND			W.C.	WEIGHT kg	SCALE	
SIZE, SEMI-FINISHED PRODUCTS						
AUXILIARY EQUIPMENT				STN STANDARD	SORTING NUMBER	
ELABORATED BY Ing. Kluska M.				NOTE	POSITION NUMBER	
TESTED BY						
TECHNOLOGIST		TECHNOLOGIST		OLD DRAWING	DRAWING NUMBER	
NAME				Roof step-set 800 x 250		
				Number of sheets	FALZ-WDACH Sheet	

Created: 07.06.2026 08:40:59

Technical changes reserved