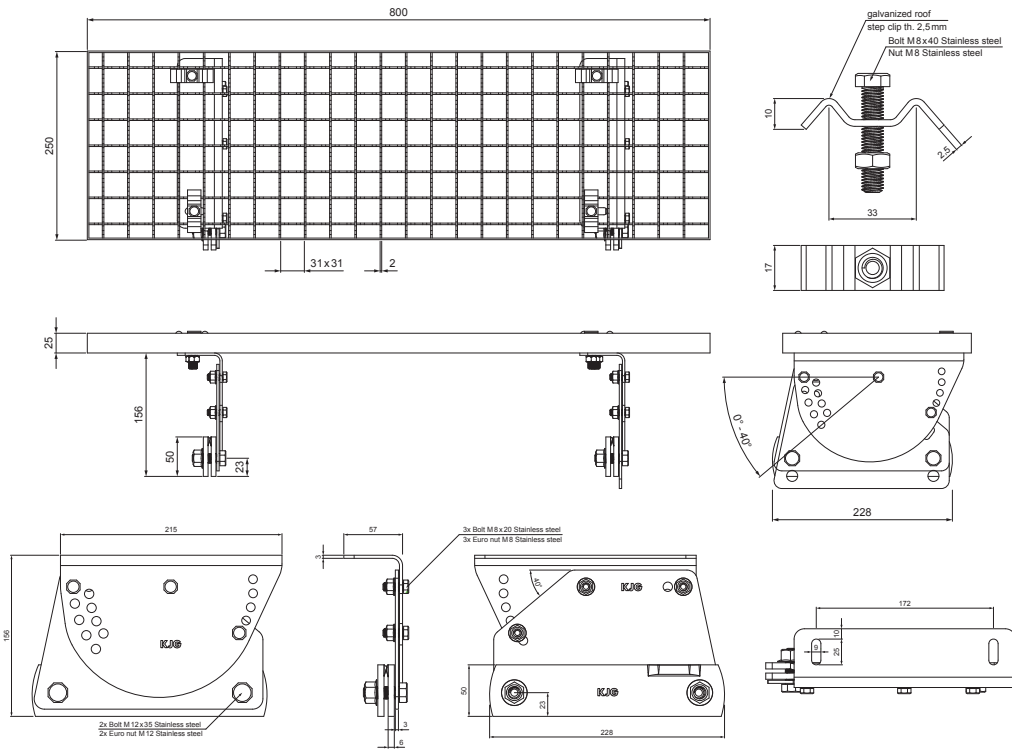


TECHNICAL SHEET

ROOF STEP-SET – SET 800x250

FALZ-WDACH

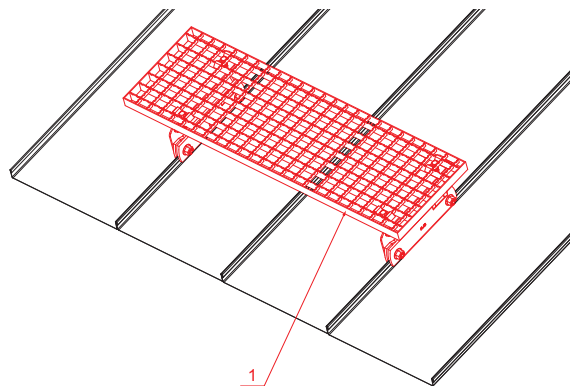


PACKAGING – SET:




- galvanized steel roof step 800x250 – 1 pcs
- aluminium roof step holder – 2 pcs
- bolt M12x35 Stainless steel – 4 pcs
- nut M12 Stainless steel – 4 pcs
- bolt M8x20 Stainless steel – 6 pcs
- Euro nut M8 Stainless steel – 6 pcs
- galvanized roof step clip – 4 pcs
- bolt M8x40 Stainless steel – 4 pcs
- nut M8 Stainless steel – 4 pcs

DETAIL:

- 1. roof step-set 800x250



ZS Aluminium pre-painted – Zinc grey – RAL extra

INDEX CHANGE	DATE	SIGNATURE	W.C.	WEIGHT kg	SCALE			
SIZE, SEMI-FINISHED PRODUCTS				NOTE	POSITION NUMBER			
AUXILIARY EQUIPMENT				OLD DRAWING	DRAWING NUMBER			
ELABORATED BY Ing. Kluska M.				NAME				
TESTED BY				Roof step-set 800 x 250				
TECHNOLOGIST				Number of sheets		FALZ-WDACH Sheet		

Created: 06.06.2026 15:06:19

Technical changes reserved