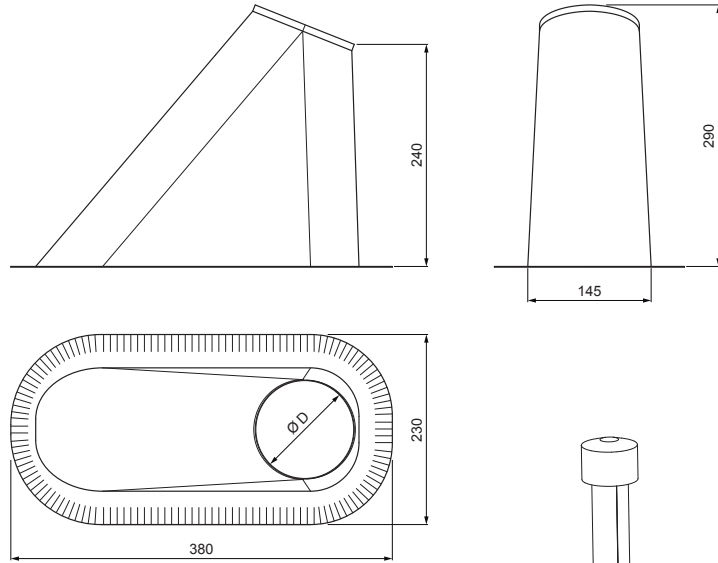


TECHNICAL SHEET

VENTILATION CHIMNEY BASE

FALZ-W.15 VKP



TMM Aluminium pre-painted W.15 – Testa di Moro W.15 – RAL 8028

- DETAIL:**
1. ventilation chimney base
 2. ventilation chimney + EPDM

Dimensions [mm]	
Nominal dimension	Ø D
110 – 125	110
110 – 125	125 *

* It is created by trimming adjustment – enlarging the hole

INDEX	CHANGE	DATE	SIGNATURE	KJG QUALITY®	Scan code for 3D model
MATERIAL BRAND			W.C.	WEIGHT kg	SCALE
SIZE, SEMI-FINISHED PRODUCTS				STN STANDARD	SORTING NUMBER
AUXILIARY EQUIPMENT				NOTE	POSITION NUMBER
ELABORATED BY Ing. Kluska M.					
TESTED BY				OLD DRAWING	DRAWING NUMBER
TECHNOLOGIST			TECHNOLOGIST		
NAME			Ventilation chimney base		
			Number of sheets	FALZ-W.15 VKP Sheet	

Created: 07.06.2026 12:29:36

Technical changes reserved